

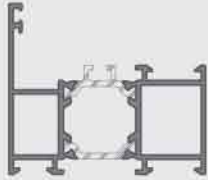
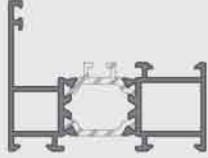
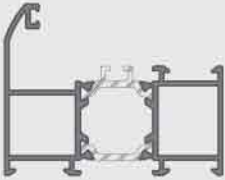
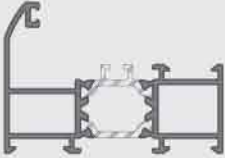
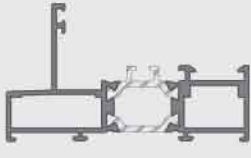
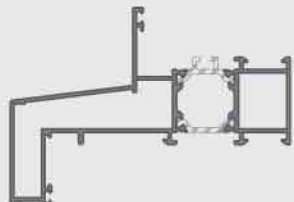
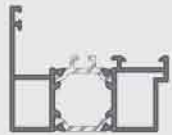
designed by


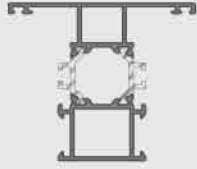
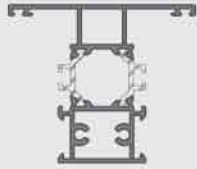
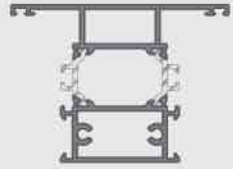

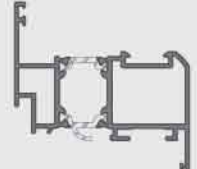
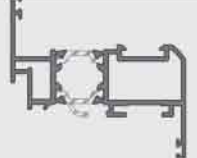
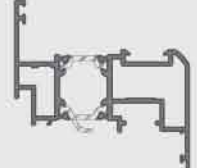
LINEA ROSSA
MILANO

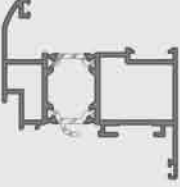
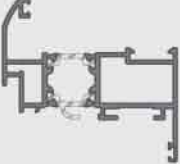
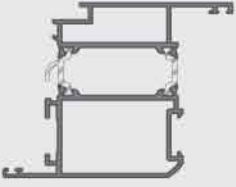
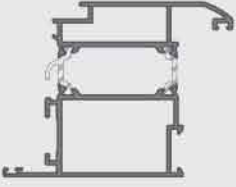
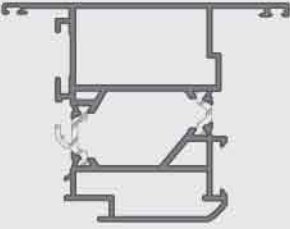


LR5100
SLIDING SYSTEM

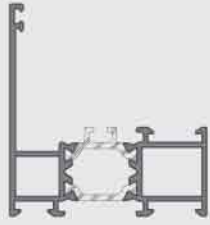
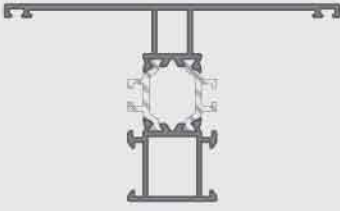
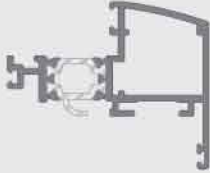
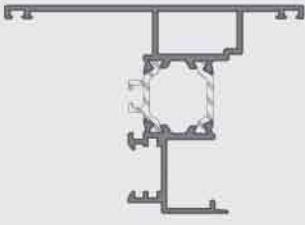
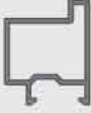


TEKNİK KATALOG
TECHNICAL CATALOGUE











| Profil Profile | Profil Kodu Profile Nr | X mm Y mm | Ix cm ⁴ Iy cm ⁴ | Ağırlık Kg/m. Weight Kg/m. | Sayfa Page |
|---|---------------------------|------------------------|--|-------------------------------------|----------------------------------|
|  | LR-5101 | 65 mm. 56,5 mm. | 23,70 9,41 | 1.358 | 08 26 31 32 34 35 |
|  | LR-5102 | 65 mm. 49,70 mm. | 21,23 5,75 | 1.246 | 08 26 |
|  | LR-5103 | 72 mm. 56,5 mm. | 29,93 10,60 | 1.441 | 09 27 |
|  | LR-5104 | 72 mm. 49,7 mm. | 26,36 7,24 | 1.329 | 09 27 |
|  | LR-5105 | 80 mm. 45,5 mm. | 28,01 4,89 | 1.328 | 10 39 40 |
|  | LR-5106 | 115,65 mm. 81,5 mm. | 104,13 16,82 | 1.996 | 10 28 |
|  | LR-5107 | 65 mm. 51,5 mm. | 20,22 7,83 | 1.237 | 16 34 35 |

| Profil Profile | Profil Kodu Profile Nr | X mm Y mm | Ix cm ⁴ Iy cm ⁴ | Ağırlık Kg/m. Weight Kg/m. | Sayfa Page |
|---|---------------------------|--------------------|--|-------------------------------------|----------------------------------|
|  | LR-5109 | 65 mm. 150 mm. | 194,07 66,58 | 3.170 | 11 33 |
|  | LR-5111 | 77 mm. 65 mm. | 25,77 13,97 | 1.446 | 12 30 31 |
|  | LR-5112 | 77 mm. 65 mm. | 28,80 14,38 | 1.583 | 12 |
|  | LR-5113 | 90 mm. 65 mm. | 38,80 30,38 | 2.024 | 12 |
|  | LR-5115 | 58 mm. 68,5 mm. | 23,45 7,84 | 1.285 | 17 29 |
|  | LR-5121 | 72 mm. 74,5 mm. | 37,55 11,15 | 1.658 | 13 26 28 29 30 40 |
|  | LR-5122 | 72 mm. 67,5 mm. | 33,85 6,94 | 1.543 | 13 26 |
|  | LR-5123 | 72 mm. 71,9 mm. | 35,83 9,21 | 1.626 | 13 |

| Profil Profile | Profil Kodu Profile Nr | X mm Y mm | lx cm ² ly cm ² | Ağırlık Kg/m. Weight Kg/m. | Sayfa Page |
|---|---------------------------|-----------------------|--|-------------------------------------|----------------|
|  | LR-5124 | 72 mm. 74,5 mm. | 38,55 11,90 | 1.682 | 14 27 |
|  | LR-5125 | 72 mm. 67,5 mm. | 34,63 7,53 | 1.559 | 14 27 |
|  | LR-5126 | 94,7 mm. 72 mm. | 52,54 28,97 | 2.025 | 15 |
|  | LR-5127 | 94,7 mm. 72 mm. | 54,46 29,62 | 2.043 | 15 |
|  | LR-5128 | 94,7 mm. 72 mm. | 43,97 38,78 | 2.177 | 16 34 35 |
|  | LR-4151 | 30,58 mm. 43,6 mm. | 2,81 0,54 | 0.330 | 17 28 |
|  | 4016 | 18,9 mm. 4,3 mm. | 0,16 0,07 | 0.138 | 17 |

| Profil Profile | Profil Kodu Profile Nr | X mm Y mm | Ix cm ⁴ Iy cm ⁴ | Ağırlık Kg/m. Weight Kg/m. | Sayfa Page |
|---|---------------------------|-----------------------|--|-------------------------------------|----------------------------|
|  | LR-5160 | 65 mm. 70 mm. | 28,18 10,25 | 1.381 | 18 36 |
|  | LR-5161 | 110,8 mm. 65 mm. | 29,22 27,57 | 1.586 | 18 37 |
|  | LR-5162 | 66,2 mm. 55 mm. | 20,55 6,71 | 1.310 | 19 36 37 38 |
|  | LR-5163 | 98,6 mm. 68,5 mm. | 29,91 22,59 | 1.597 | 19 38 |
|  | LR-5164 | 28 mm. 34,5 mm. | 2,02 1,71 | 0.470 | 20 36 37 |
|  | LR-3382 | 37,4 mm. 24,55 mm. | 1,66 0,38 | 0.300 | 20 23 36 37 |
|  | LR-5166 | 3,8 mm. 17,8 mm. | 0,17 0,02 | 0.147 | 20 23 36 37 38 |

| Profil Profile | Profil Kodu Profile Nr | X mm Y mm | Ix cm ⁴ Iy cm ⁴ | Ağırlık Kg/m. Weight Kg/m. | Sayfa Page |
|---|---------------------------|------------------------|--|-------------------------------------|---------------|
|  | LR-4131 | 29,70 mm. 24,85 mm. | 1,10 0,60 | 0.306 | 21 |
|  | LR-4132 | 18,90 mm. 24,85 mm. | 0,57 0,28 | 0.225 | 22 |
|  | LR-4133 | 25,20 mm. 24,85 mm. | 0,85 0,57 | 0.290 | 21 |
|  | LR-4134 | 21,70 mm. 24,85 mm. | 0,68 0,55 | 0.264 | 21 |
|  | LR-4135 | 18,90 mm. 24,85 mm. | 0,61 0,46 | 0.246 | 22 |
|  | LR-4531 | 38,70 mm. 24,85 mm. | 1,89 0,63 | 0.338 | 21 |
|  | LR-4532 | 23,70 mm. 24,85 mm. | 0,79 0,56 | 0.295 | 21 |
|  | LR-5132 | 33,70 mm. 24,85 mm. | 1,40 0,61 | 0.319 | 21 |

LINEA ROSSA

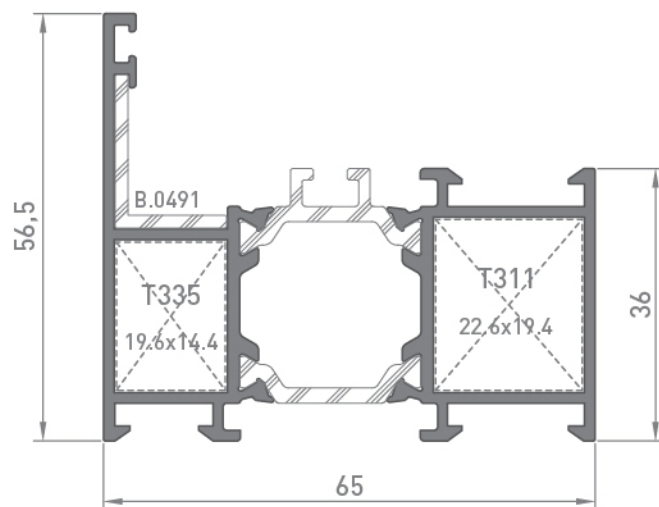
LR5100
SLIDING SYSTEM

TEKNİK KATALOG
PROFİLLER

Kasa Profili - Frame Profile

1,358 Kg./m.

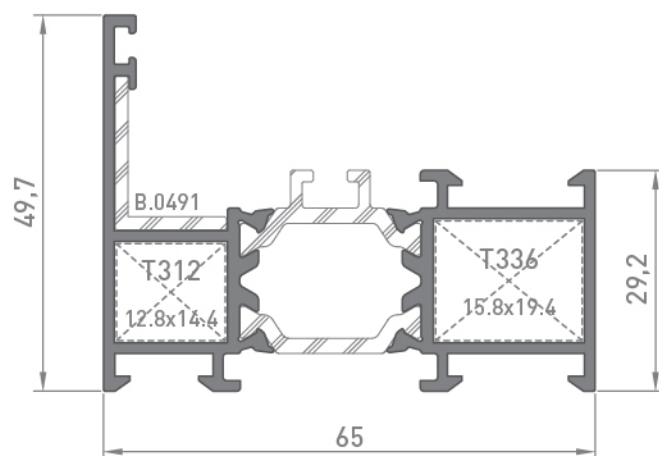
LR-5101



Kasa Profili - Frame Profile

1,246 Kg./m.

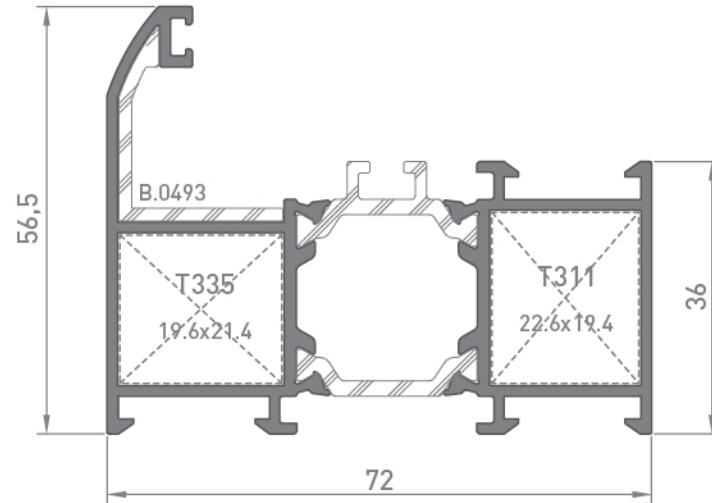
LR-5102



Kasa Profili - Frame Profile

1,441 Kg./m.

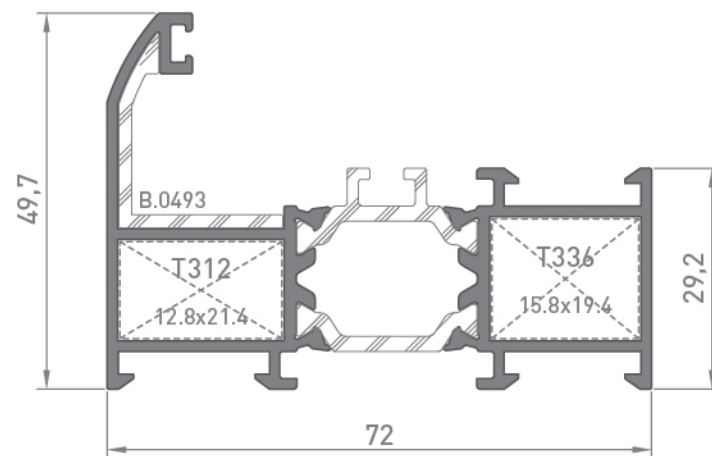
LR-5103



Kasa Profili - Frame Profile

1,329 Kg./m.

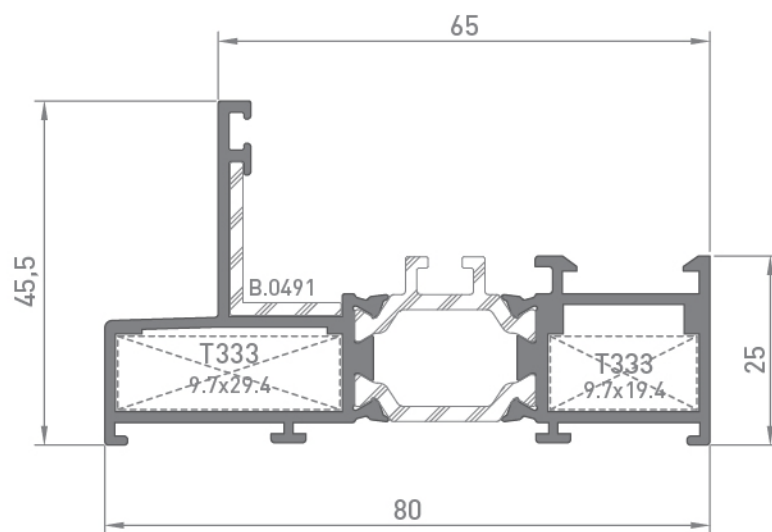
LR-5104



Sabit Kasa Profili - Frame Fixed

1,328 Kg./m.

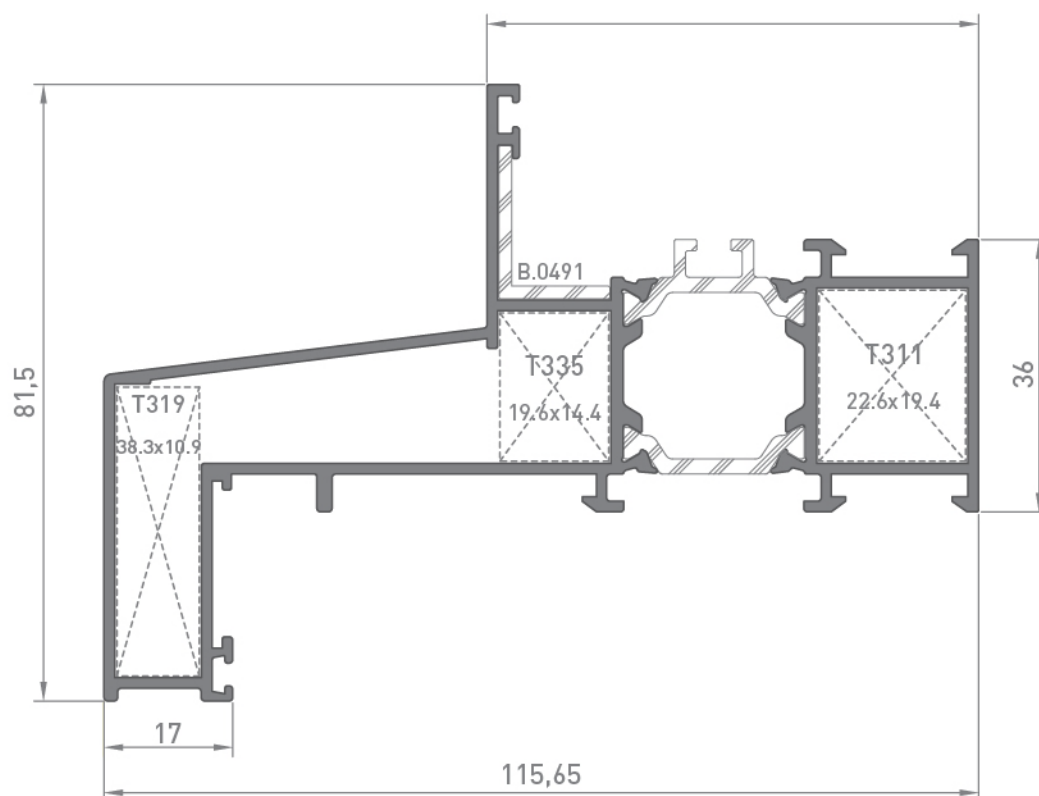
LR-5105



Kasa Profili - Frame Profile

1,996 Kg./m.

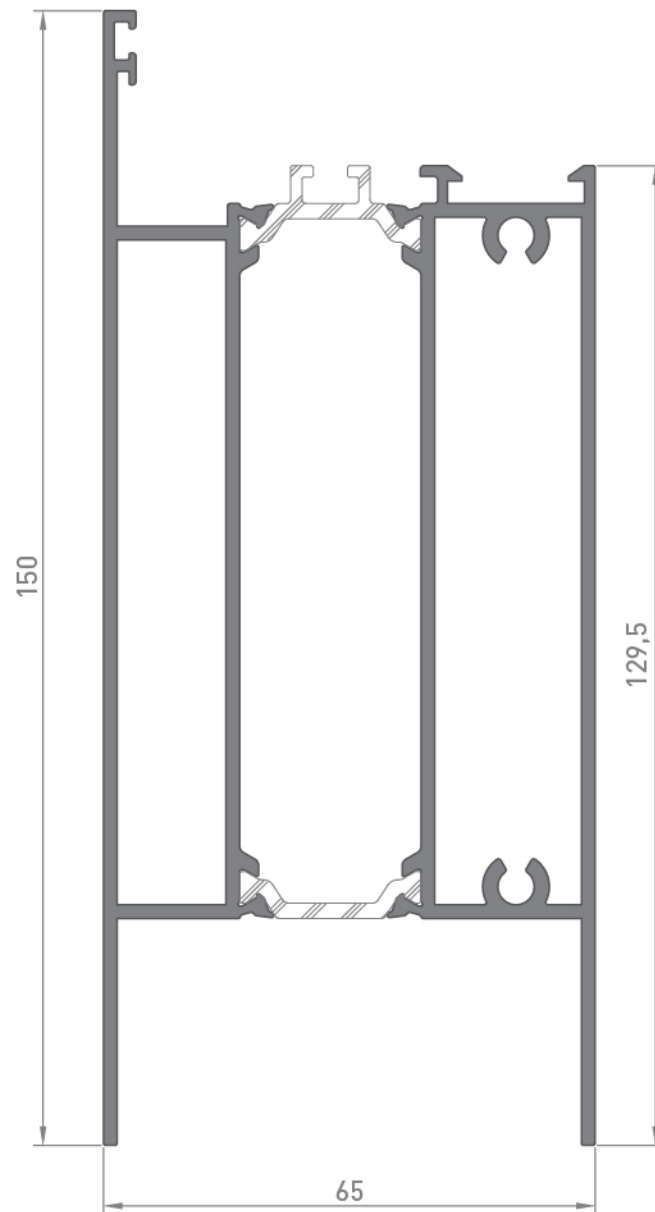
LR-5106



Baza Profili - Kick Plate

3,170 Kg./m.

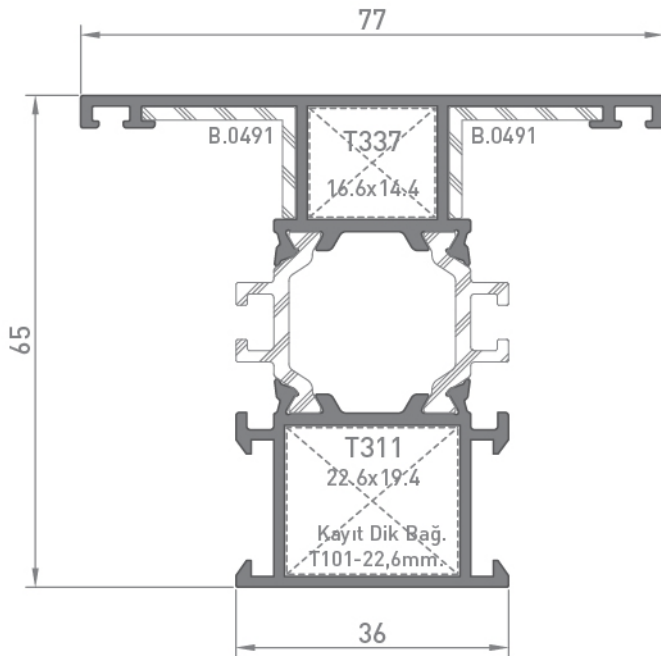
LR-5109



Kayıt Profili - Transom Profile

1,446 Kg./m.

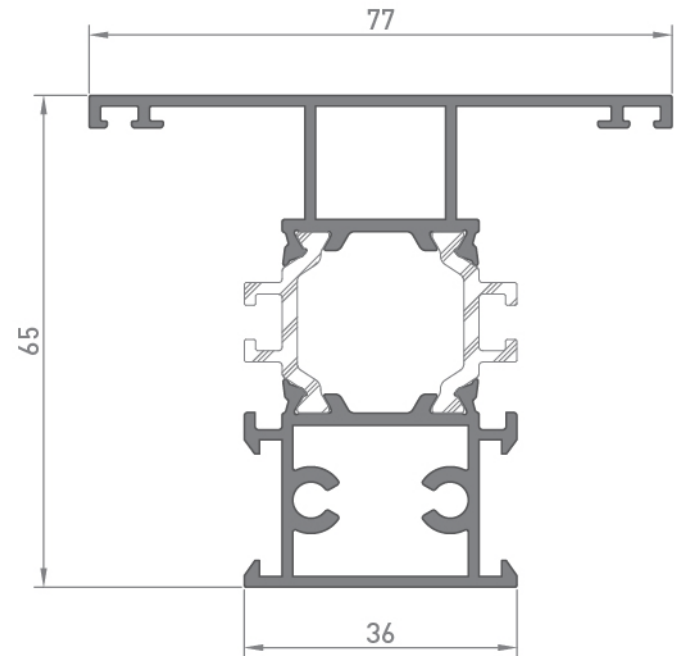
LR-5111



Kayıt Profili - Transom Profile

1,583 Kg./m.

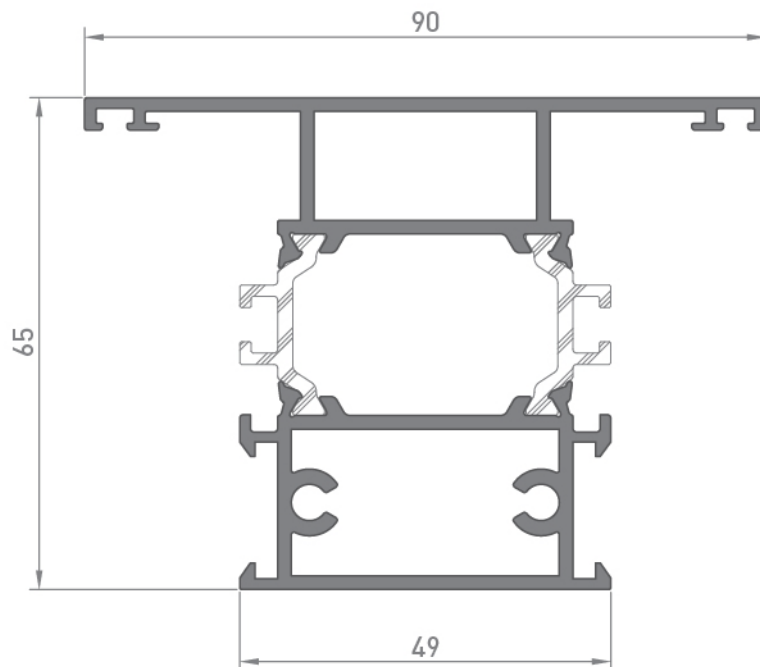
LR-5112



Kayıt Profili - Transom Profile

2,024 Kg./m.

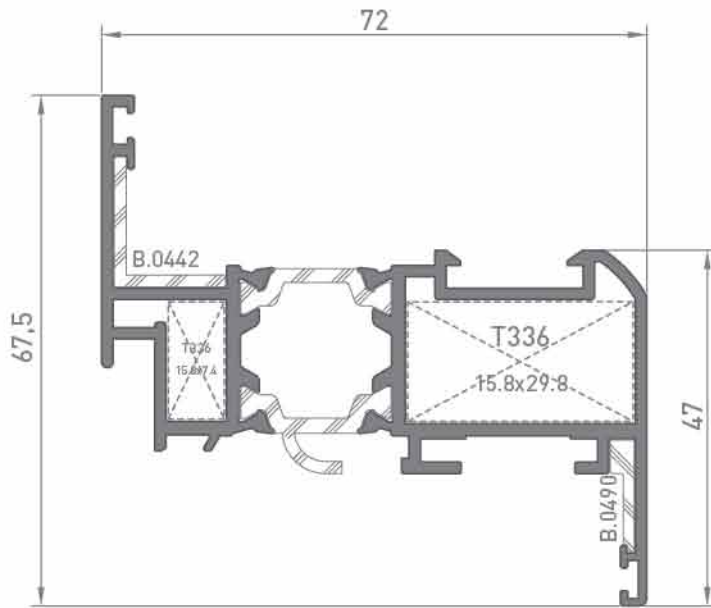
LR-5113



Kanat Profili - Sash Profile

1,543 Kg./m.

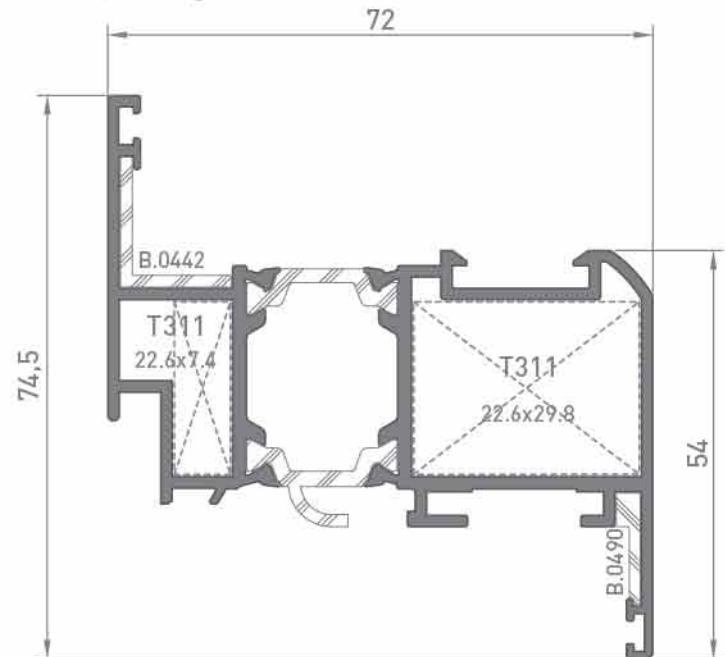
LR-5122



Kanat Profili - Sash Profile

1,658 Kg./m.

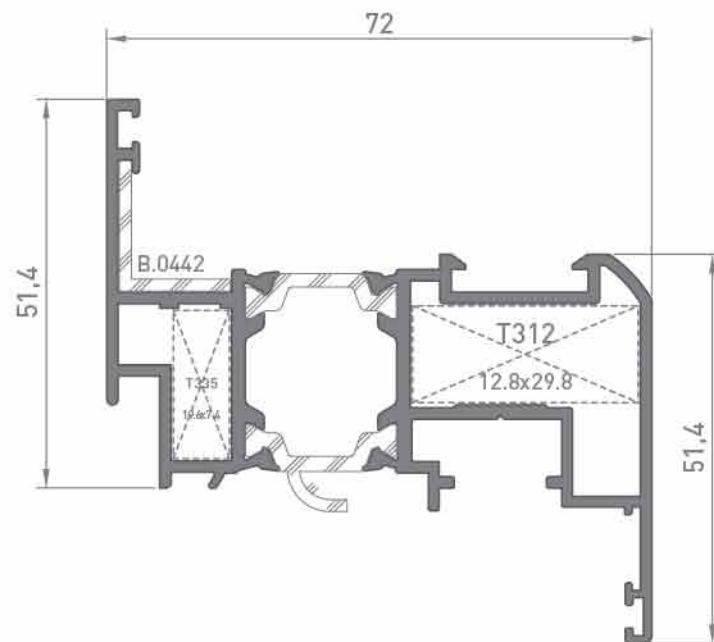
LR-5121



PVC Kanallı Profili (13-16) - Sash Profile

1,626 Kg./m.

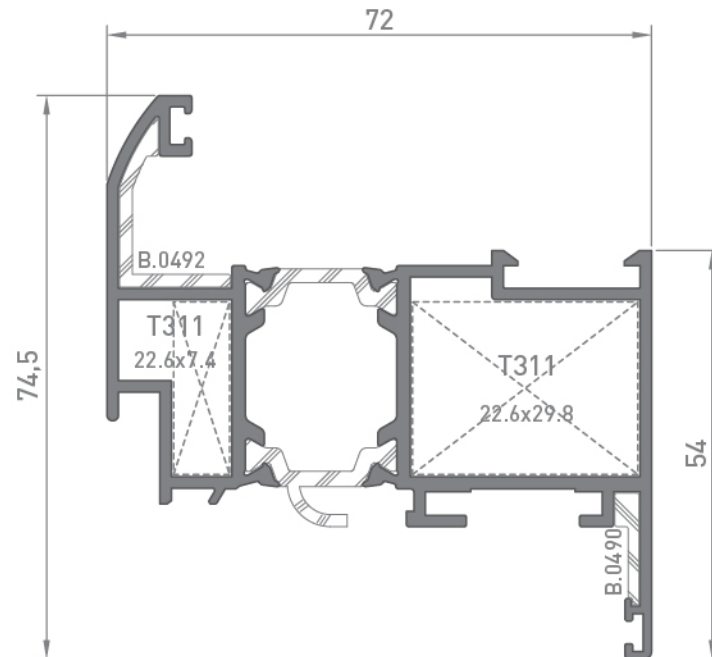
LR-5123



Kanat Profili - Sash Profile

1,682 Kg./m.

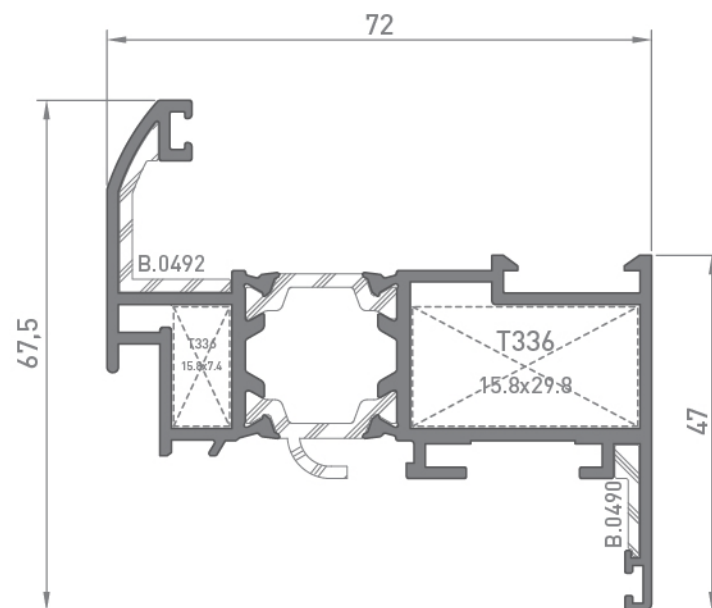
LR-5124



Kanat Profili - Sash Profile

1,559 Kg./m.

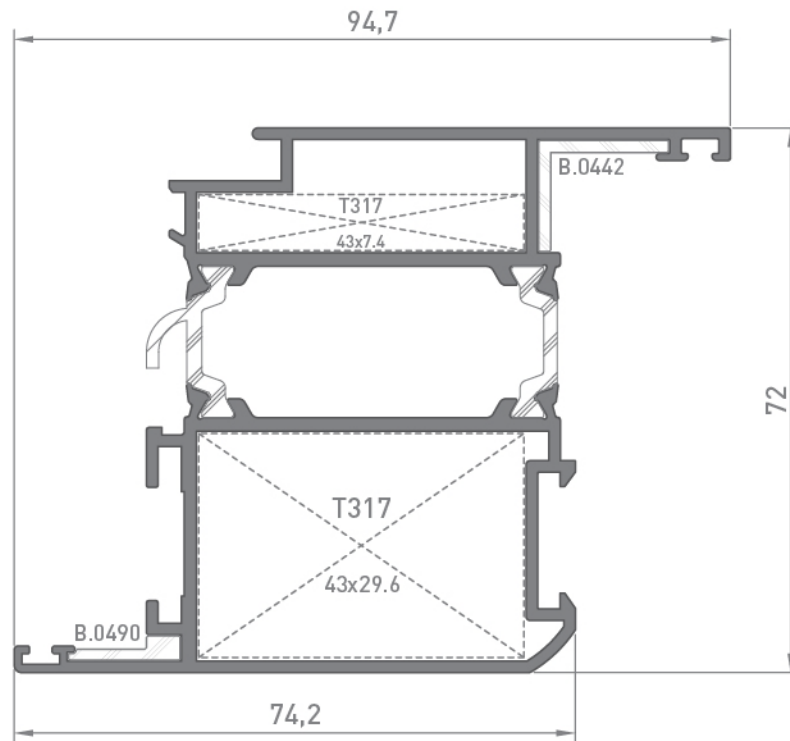
LR-5125



Kanat Profili - Sash Profile

2,025 Kg./m.

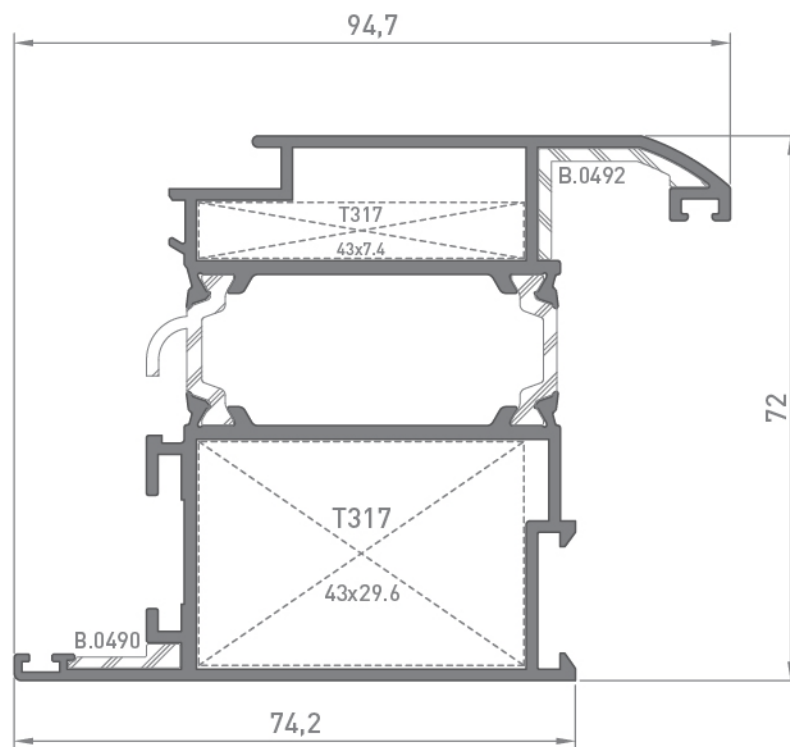
LR-5126



Kanat Profili - Sash Profile

2,043 Kg./m.

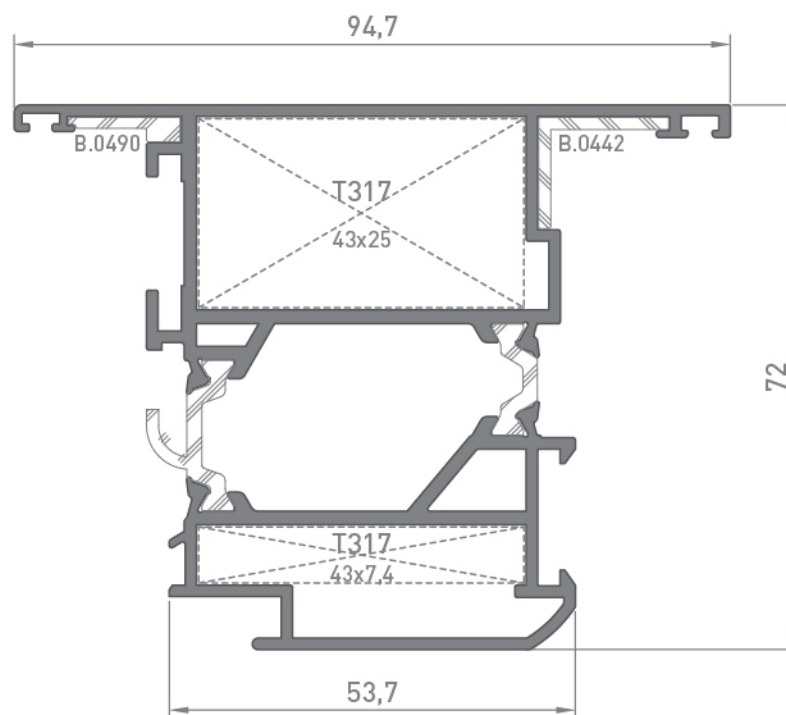
LR-5127



Kanat Profili - Sash Profile

2,177 Kg./m.

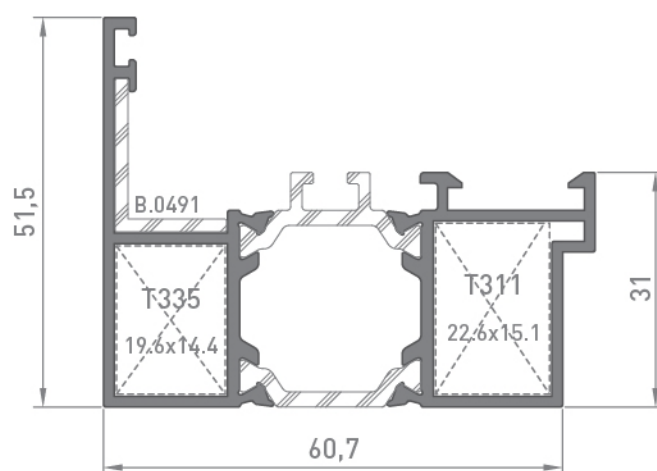
LR-5128



Kasa Profili - Frame Profile

1,237 Kg./m.

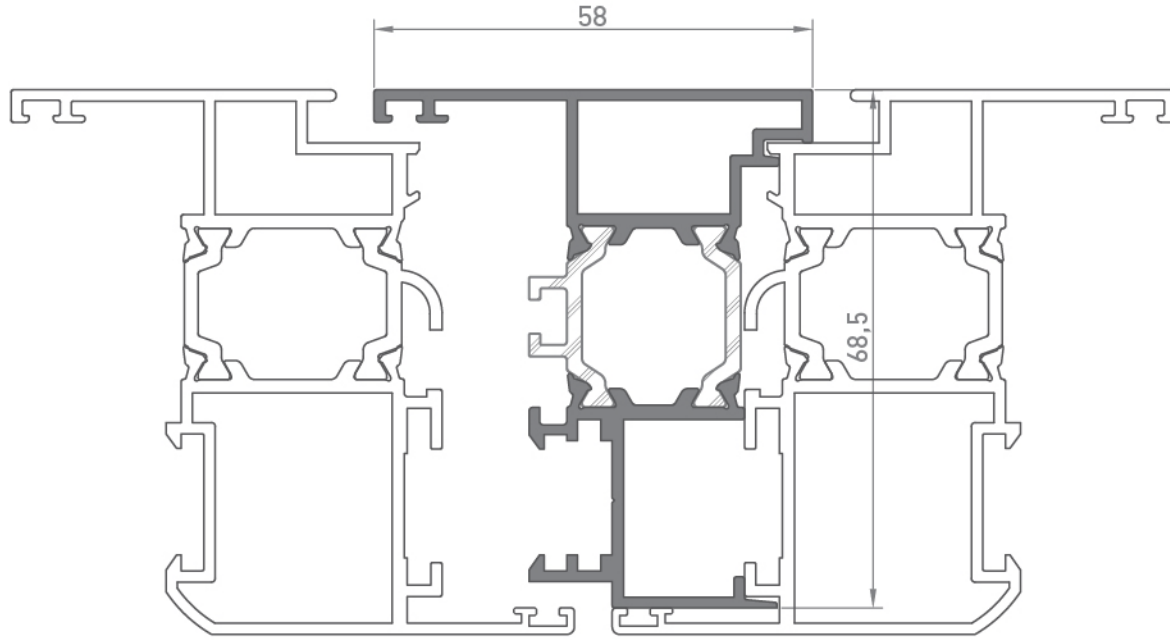
LR-5107



Çift Kanat Adaptörü - Adapter Profile For Double Vent

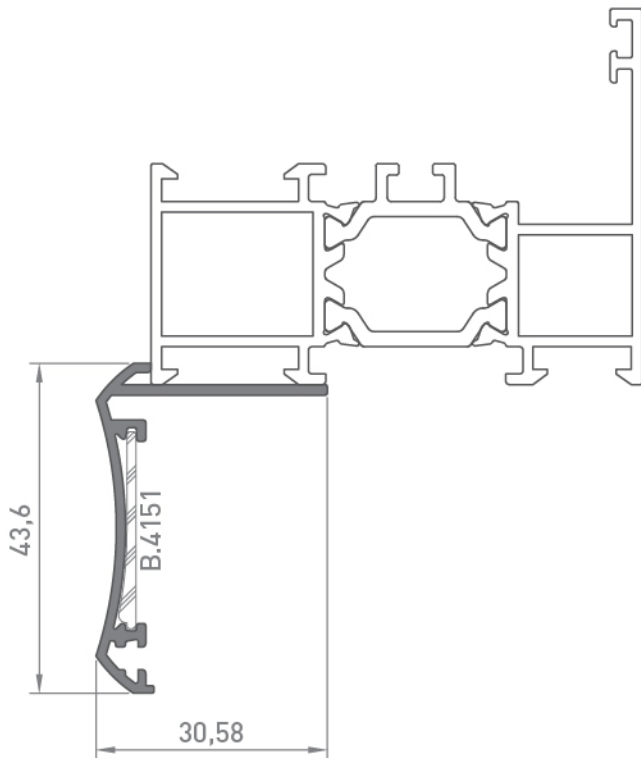
1,285 Kg./m.

LR-5115

**Pervaz - Armature Profile**

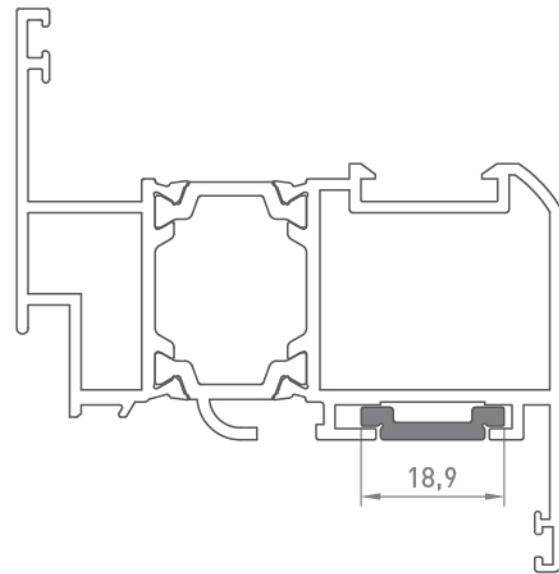
0,330 Kg/m

LR-4151

**Tij Profili - Rod Profile**

0,138 Kg/m

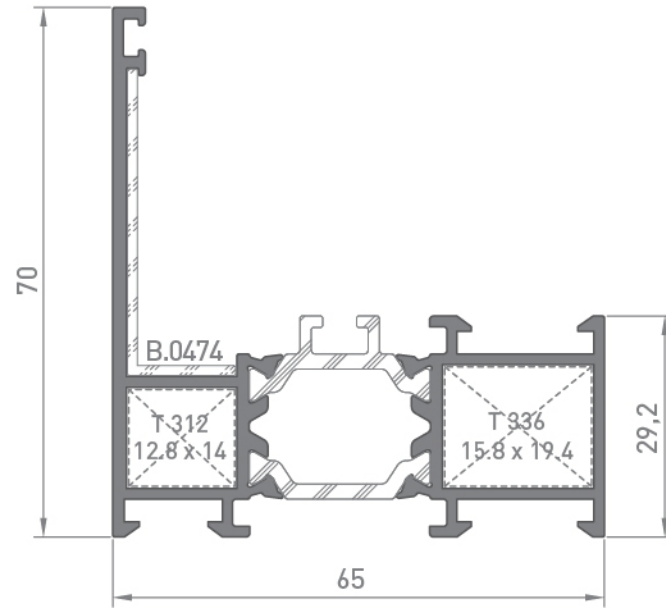
LR-4016



Kasa Profili - Frame Profile

1,381 Kg./m.

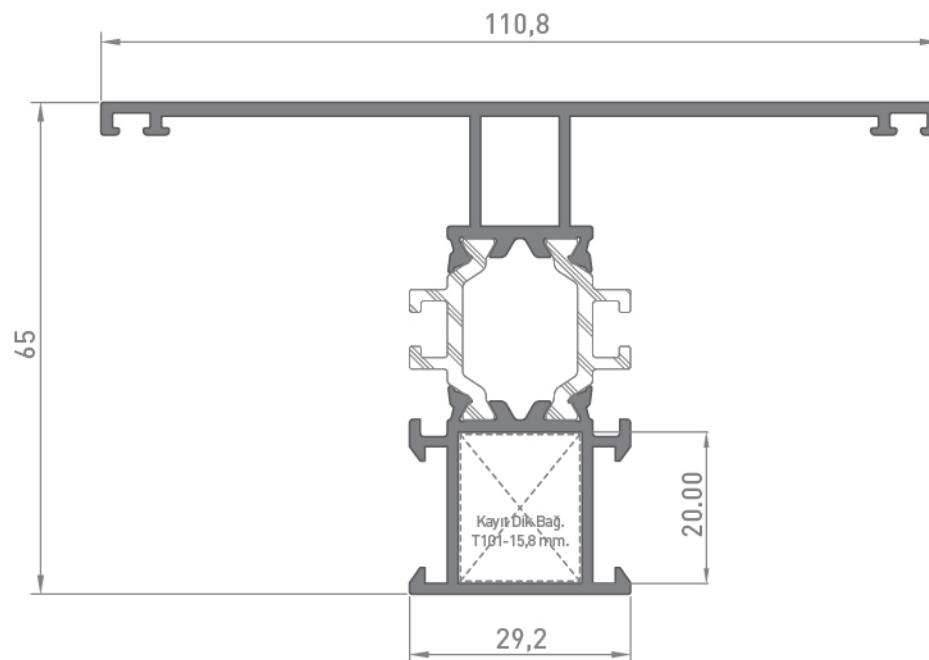
LR-5160



Kayıt Profili - Transom Profile

1,586 Kg./m.

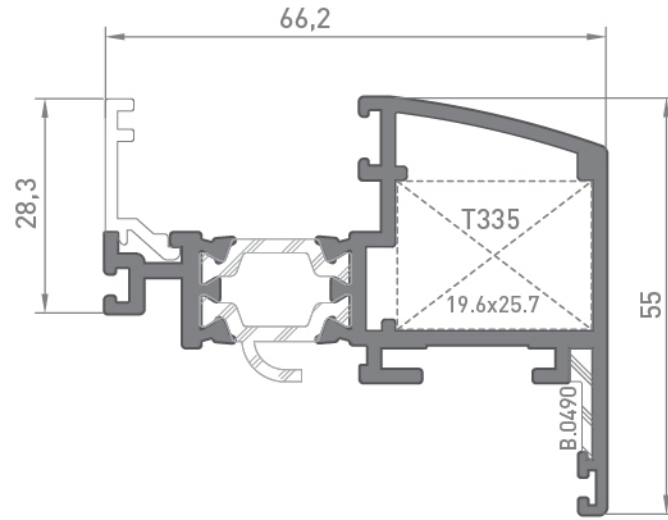
LR-5161



Kanat Profili - Sash Profile

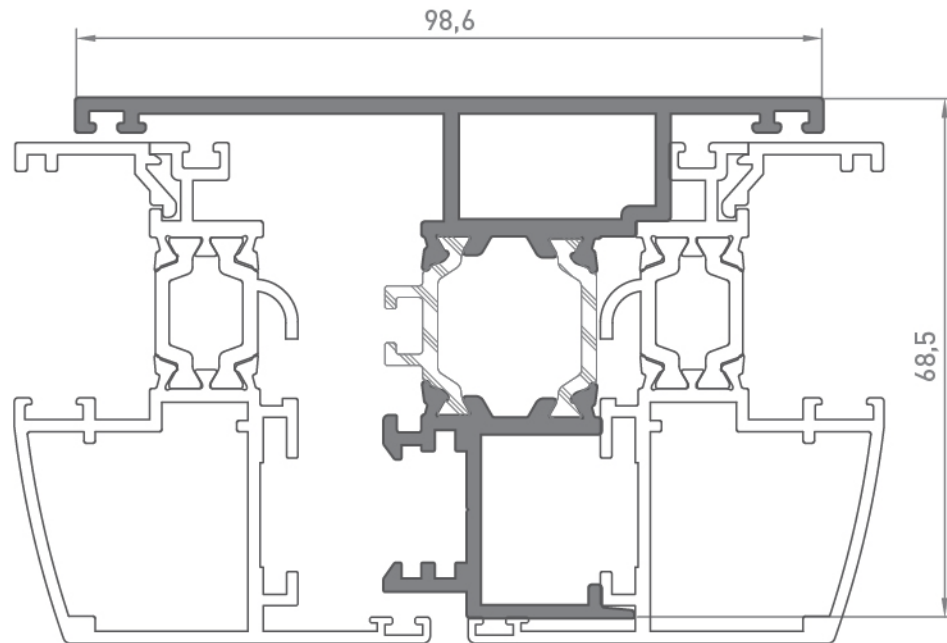
1,310 Kg./m.

LR-5162

**Çift Kanat Adaptörü - Adapter Profile For Double Vent**

1,587 Kg./m.

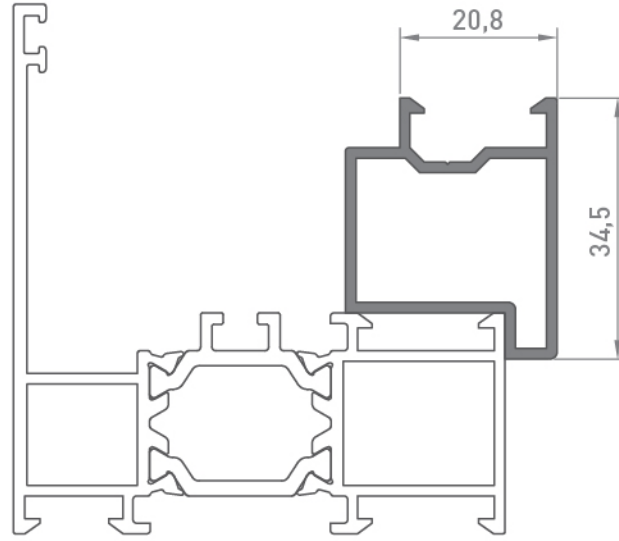
LR-5163



Cam Çıtası Yükseltme - Lift Glazing Bead

0,470 Kg./m.

LR-5164

**Cam Çıtası - Glazing Bead**

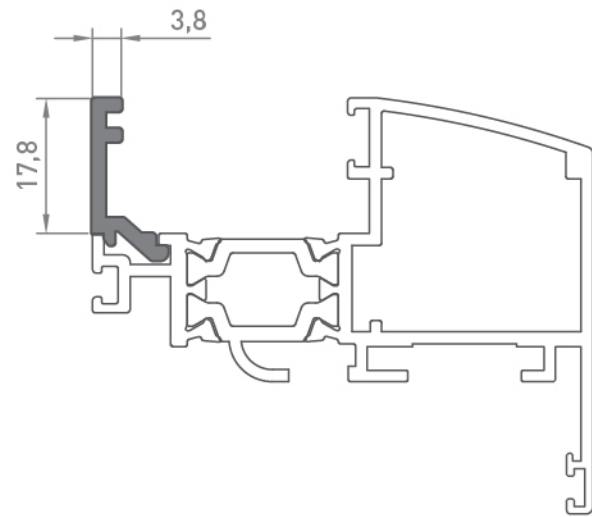
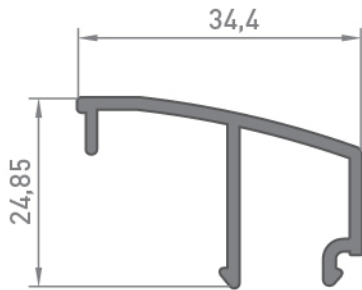
0,300 Kg/m

LR-3382

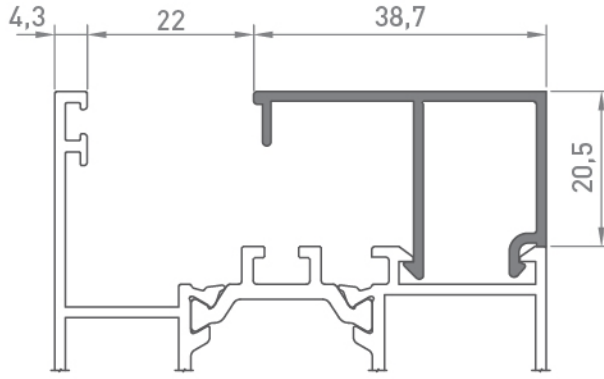
Cam Çıtası - Glazing Bead

0,147 Kg/m

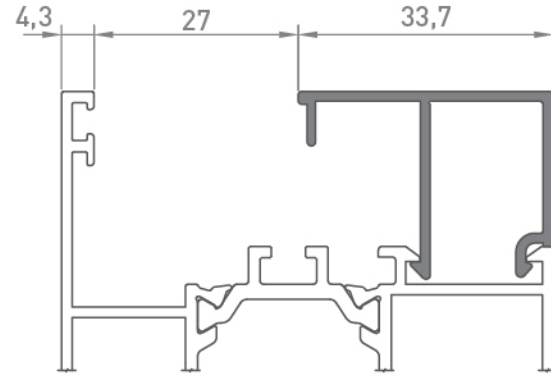
LR-5166



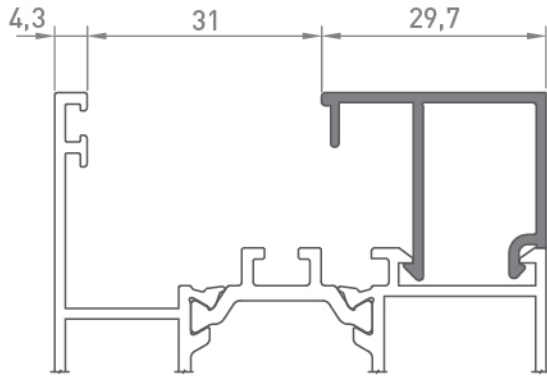
Cam Çıtası - Glazing Bead



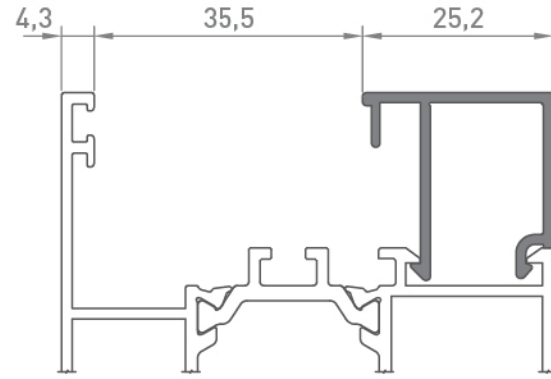
LR-4531
0,338Kg/m



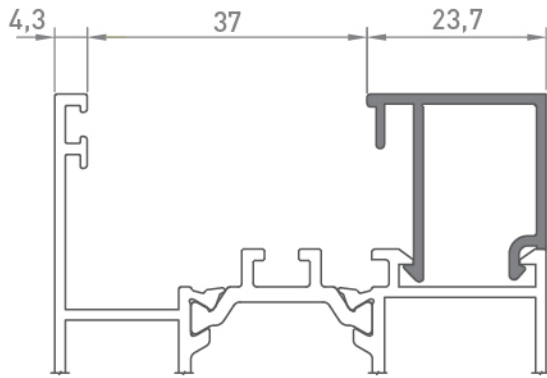
LR-5132
0,319Kg/m



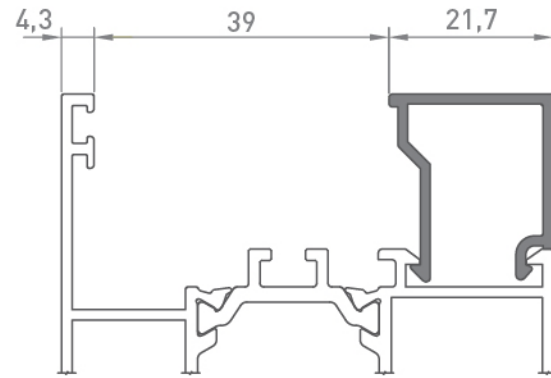
LR-4131
0,306 Kg/m



LR-4133
0,290Kg/m

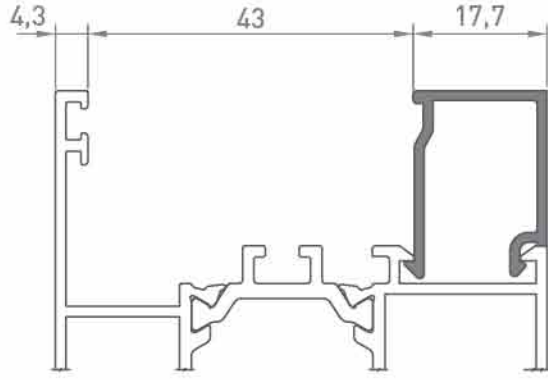


LR-4532
0,295Kg/m

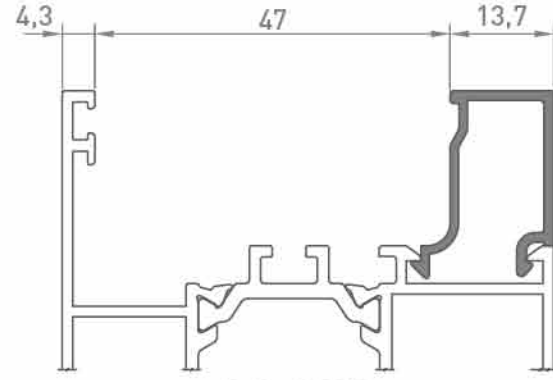


LR-4134
0,264Kg/m

Cam Çıtası - Glazing Bead



LR-4135
0,246Kg/m

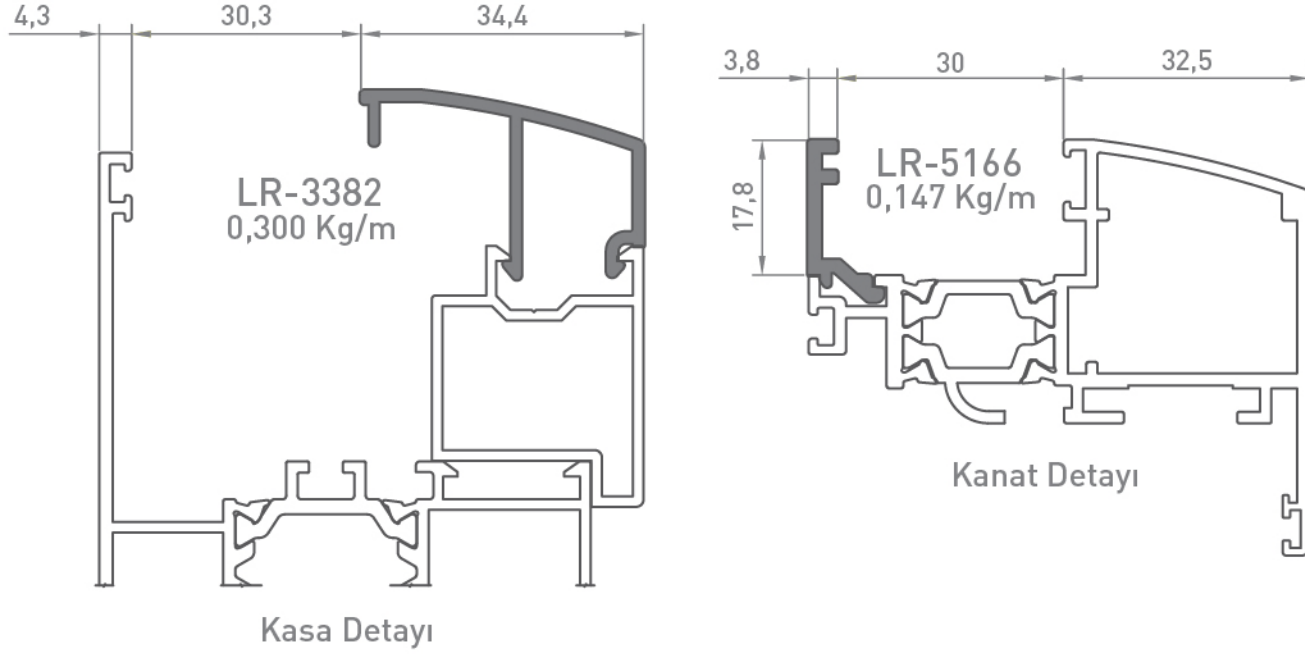


LR-4132
0,225Kg/m

| Cam Kalınlığı | Çıta Profili | İç Cam Fiteli | Dış Cam Fiteli |
|---------------|--------------|-----------------|----------------|
| 16 mm | LR-4531 | BM-06 (2,5-3mm) | BM-26 |
| 18 mm | LR-4531 | BM-27 (1,5-2mm) | BM-26 |
| 20 mm | LR-5132 | BM-04 (4mm) | BM-26 |
| 22 mm | LR-5132 | BM-27 (1,5-2mm) | BM-26 |
| 24 mm | LR-4131 | BM-04 (4mm) | BM-26 |
| 26 mm | LR-4131 | BM-27 (1,5-2mm) | BM-26 |
| 28 mm | LR-4133 | BM-04 (4mm) | BM-26 |
| 30 mm | LR-4532 | BM-04 (4mm) | BM-26 |
| 32 mm | LR-4532 | BM-27 (1,5-2mm) | BM-26 |
| 34 mm | LR-4134 | BM-27 (1,5-2mm) | BM-26 |
| 36 mm | LR-4135 | BM-04 (4mm) | BM-26 |
| 38 mm | LR-4135 | BM-27 (1,5-2mm) | BM-26 |
| 40 mm | LR-4132 | BM-04 (4mm) | BM-26 |
| 42 mm | LR-4132 | BM-27 (1,5-2mm) | BM-26 |

| | | | | | | | |
|-----------------|-----------------|---------------|---------------|----------------|-------------|--------------|-------------|
| | | | | | | | |
| İç Cam Fiteli | İç Cam Fiteli | İç Cam Fiteli | İç Cam Fiteli | Dış Cam Fiteli | Kasa Fiteli | Kanat Fiteli | Bini Fiteli |
| BM-27 (1,5-2mm) | BM-06 (2,5-3mm) | BM-04 (4 mm) | BM-05 (5 mm) | BM-26 | BM-21 | BM-25 | BM-53 |
| 265 mt. | 190 mt. | 160 mt. | 190 mt. | 226 mt. | 340 mt. | 400 mt. | 83 mt. |

Cam Çıtası - Glazing Bead



KASA CAM DETAYI

| Cam Kalınlığı | Çıta Profili | İç Cam Fitili | Dış Cam Fitili |
|---------------|--------------|-----------------|----------------|
| 22 mm | LR-3382 | BM-05 (5mm) | BM-26 |
| 23 mm | LR-3382 | BM-04 (4mm) | BM-26 |
| 24 mm | LR-3382 | BM-06 (2,5-3mm) | BM-26 |

KANAT CAM DETAYI

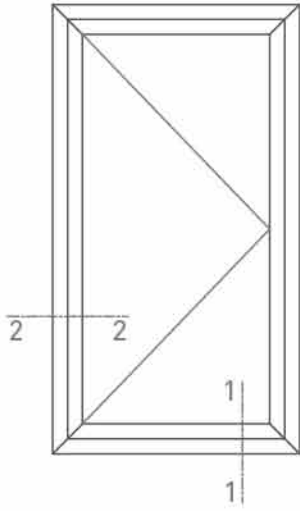
| Cam Kalınlığı | Çıta Profili | İç Cam Fitili | Dış Cam Fitili |
|---------------|--------------|-----------------|----------------|
| 22 mm | LR-5166 | BM-05 (5mm) | BM-60 |
| 23 mm | LR-5166 | BM-04 (4mm) | BM-60 |
| 24 mm | LR-5166 | BM-06 (2,5-3mm) | BM-60 |

| | | | | | | | | |
|-----------------|-----------------|---------------|---------------|----------------|----------------|-------------|--------------|-------------|
| | | | | | | | | |
| İç Cam Fitili | İç Cam Fitili | İç Cam Fitili | İç Cam Fitili | Dış Cam Fitili | Dış Cam Fitili | Kasa Fitili | Kanat Fitili | Bini Fitili |
| BM-27 (1,5-2mm) | BM-06 (2,5-3mm) | BM-04 (4 mm) | BM-05 (5 mm) | BM-26 | BM-60 | BM-21 | BM-25 | BM-53 |
| 265 mt. | 190 mt. | 160 mt. | 190 mt. | 226 mt. | 75 mt. | 340 mt. | 400 mt. | 83 mt. |

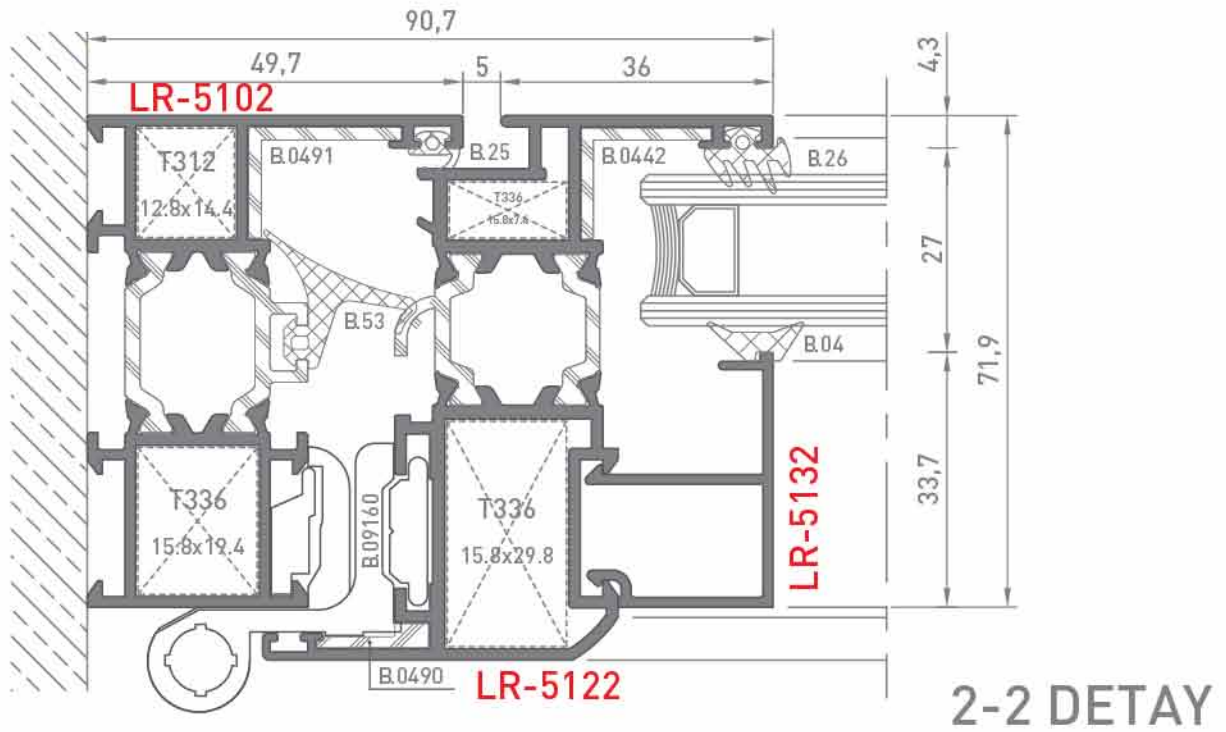
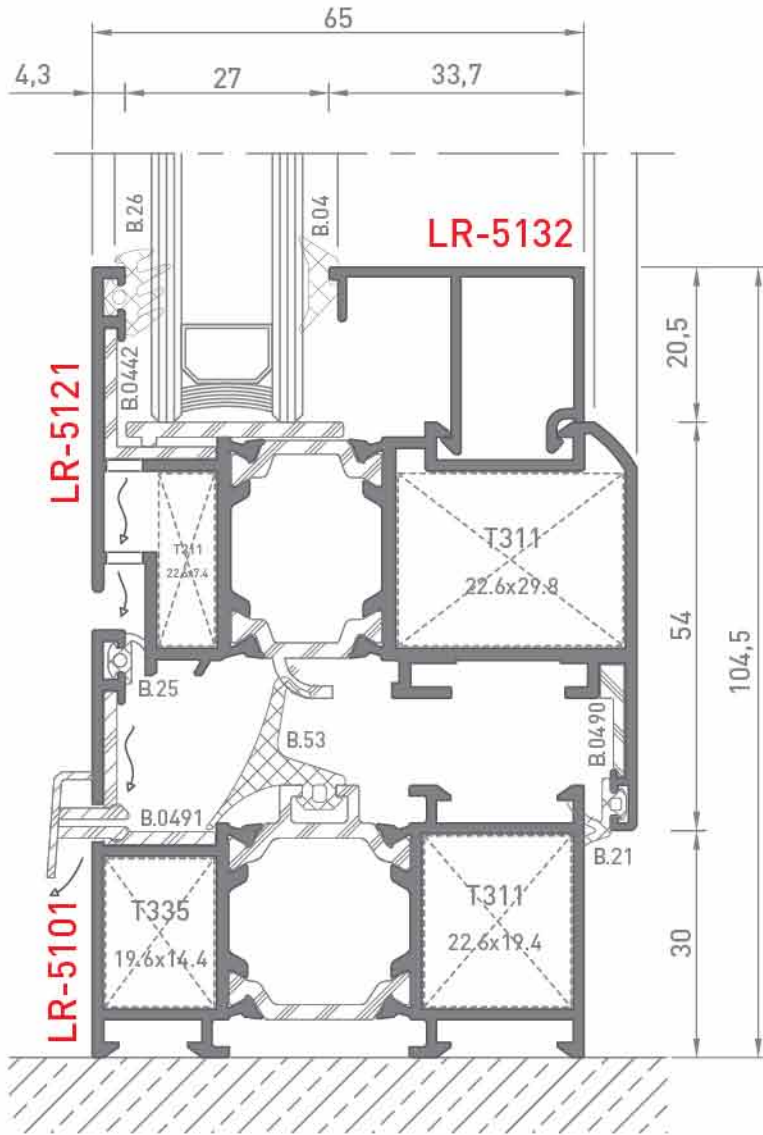
LINEA ROSSA

LR5100
SLIDING SYSTEM

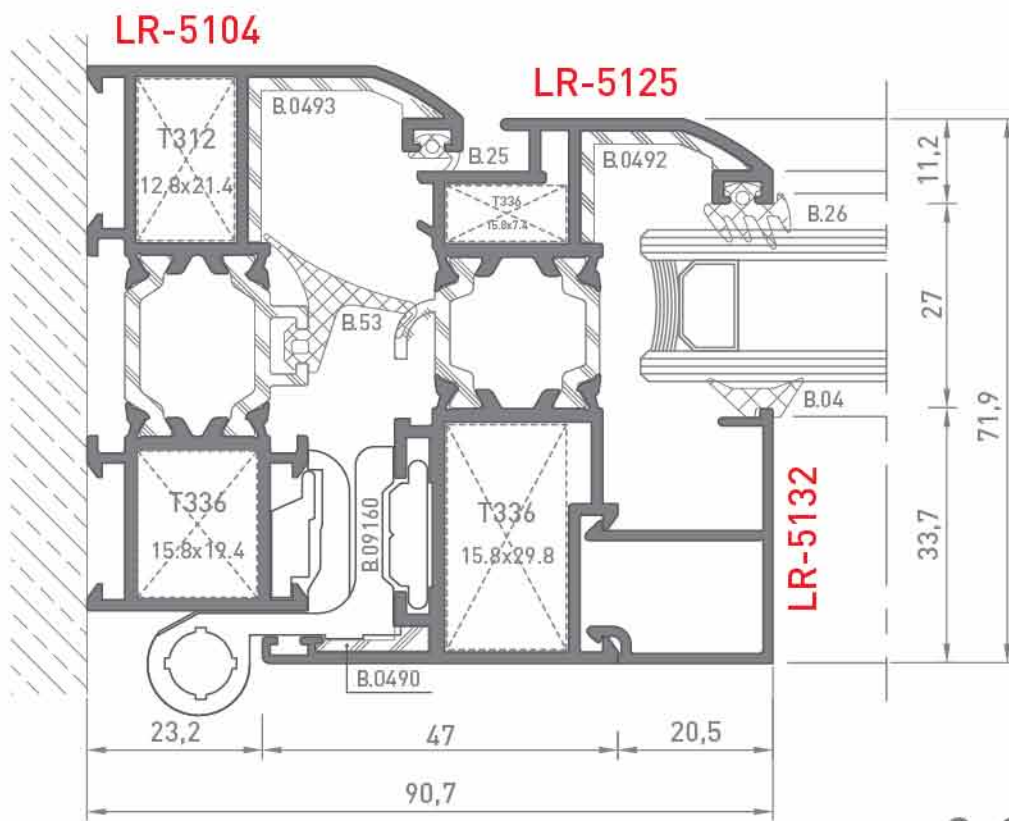
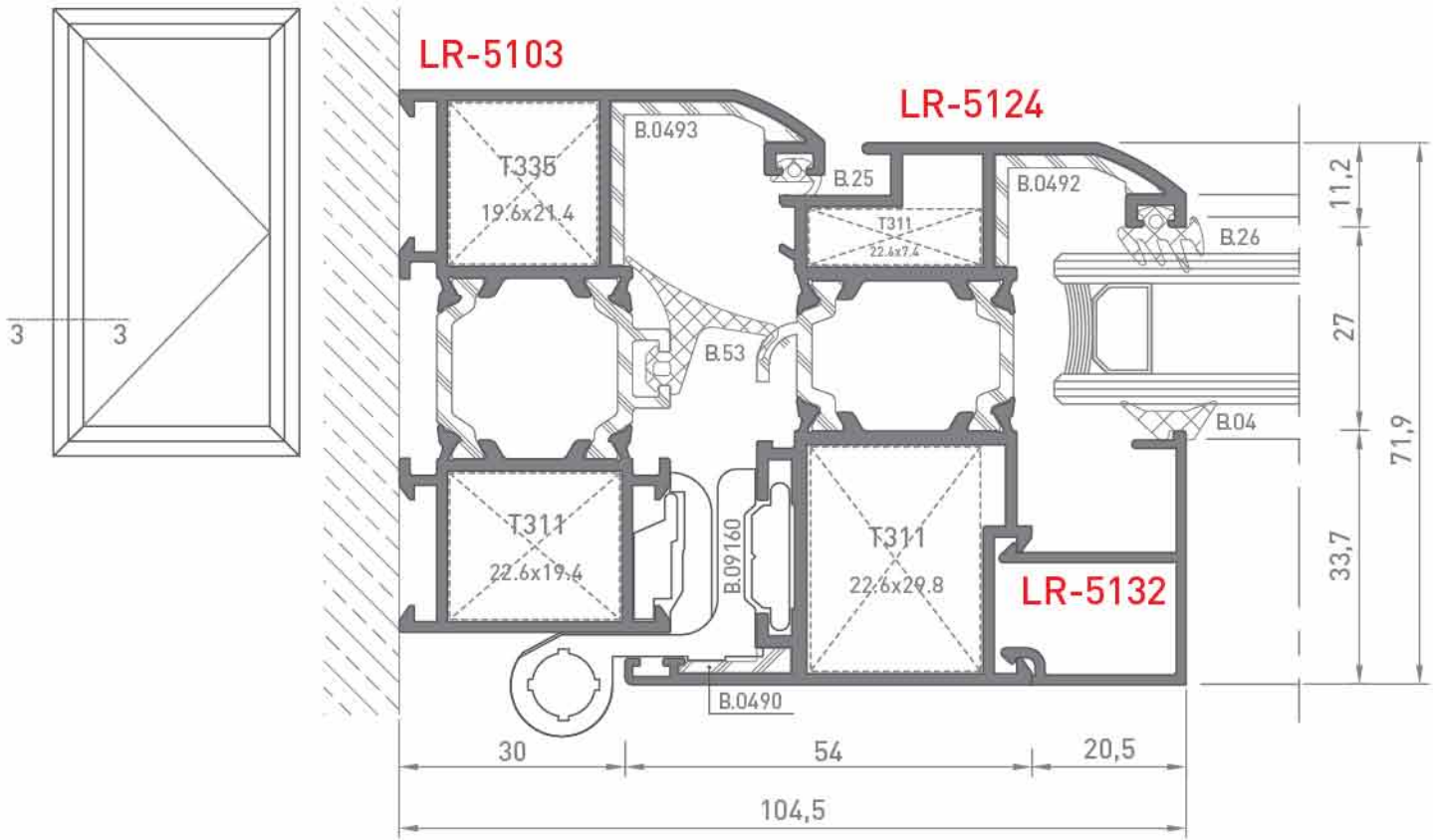
TEKNİK KATALOG
KESİT DETAYLARI



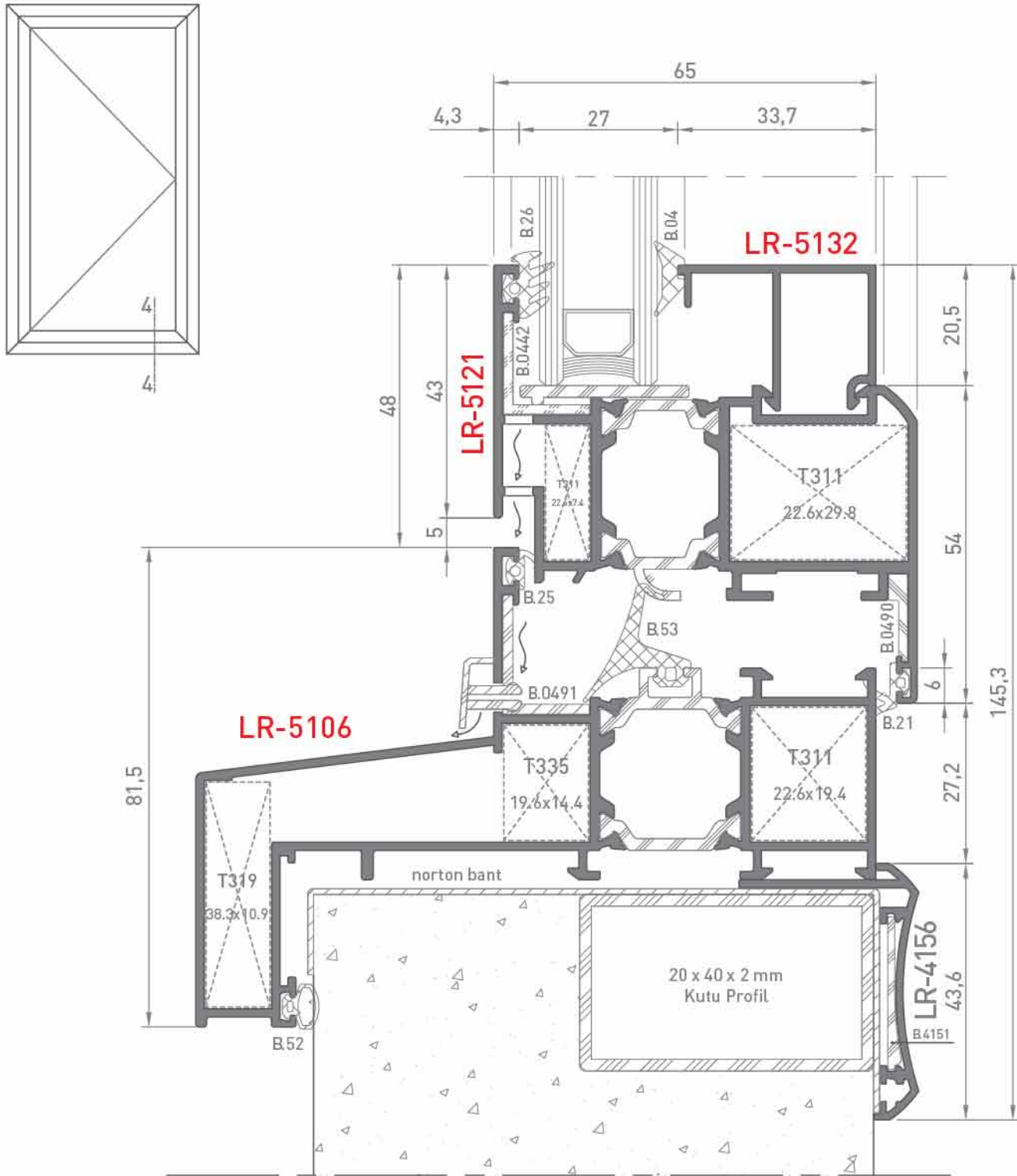
1-1 DETAY



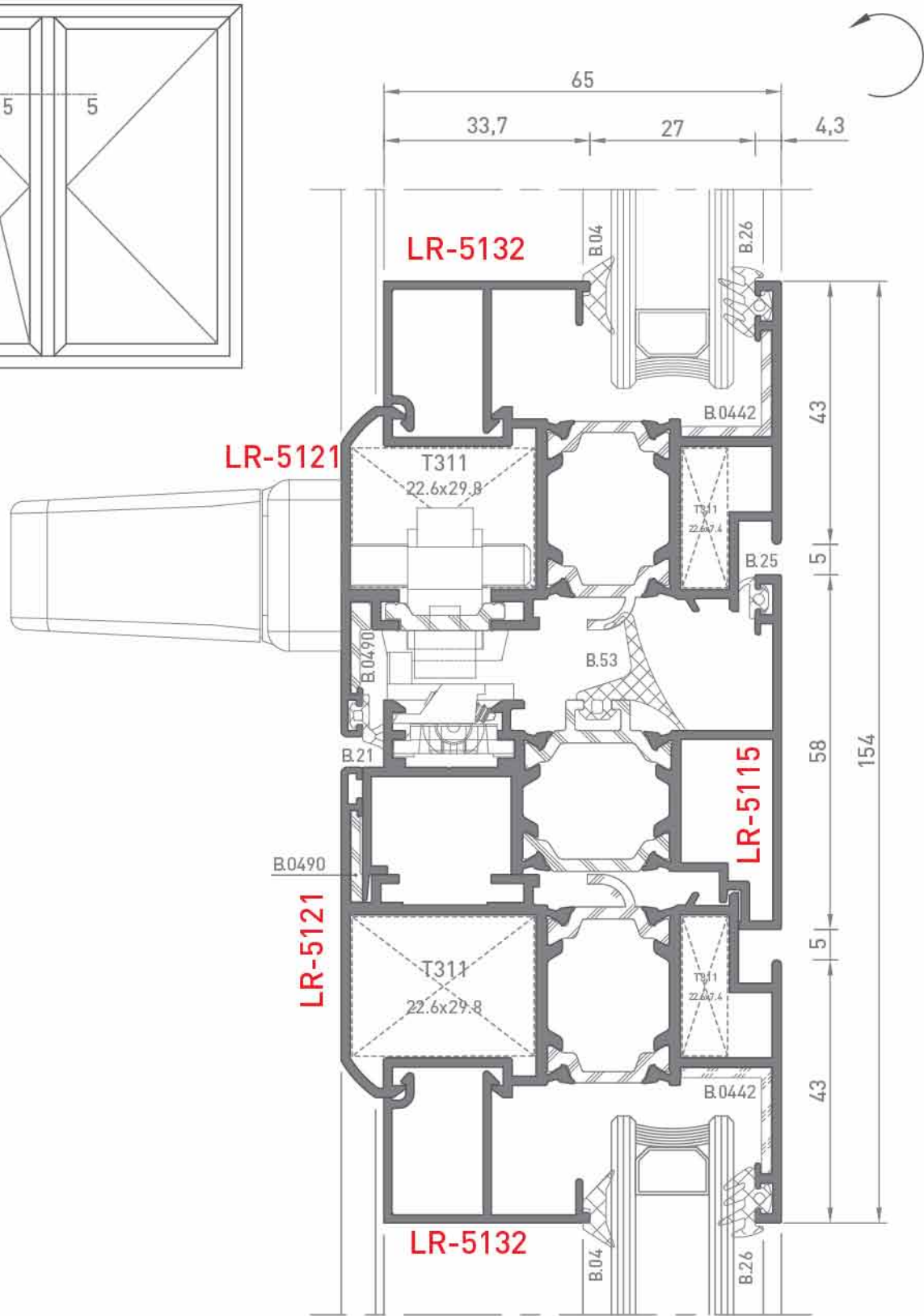
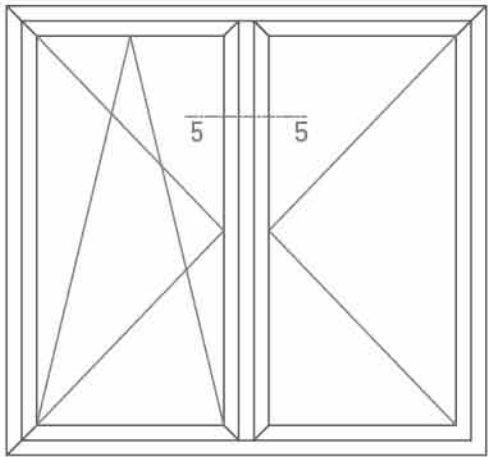
2-2 DETAY



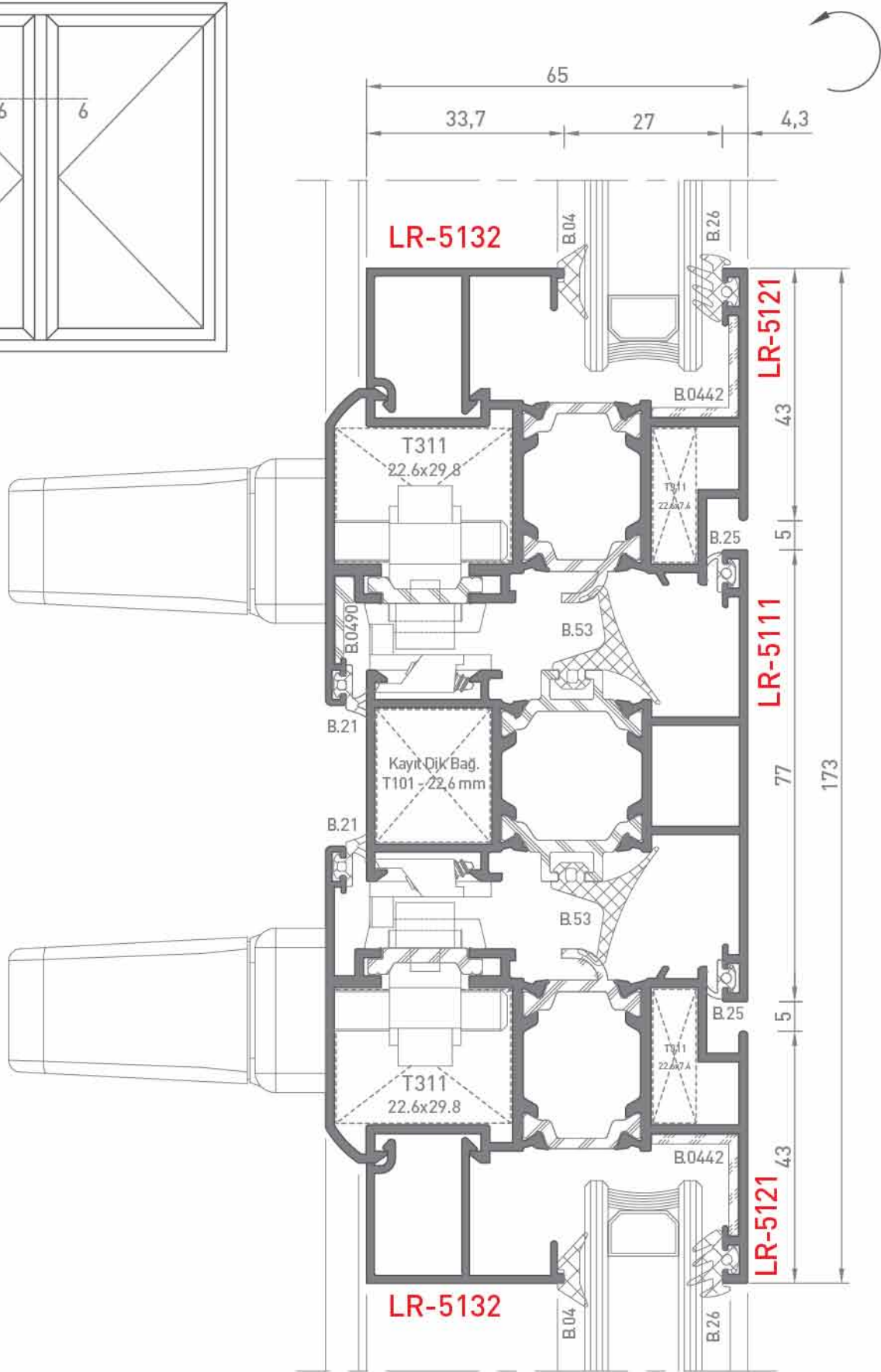
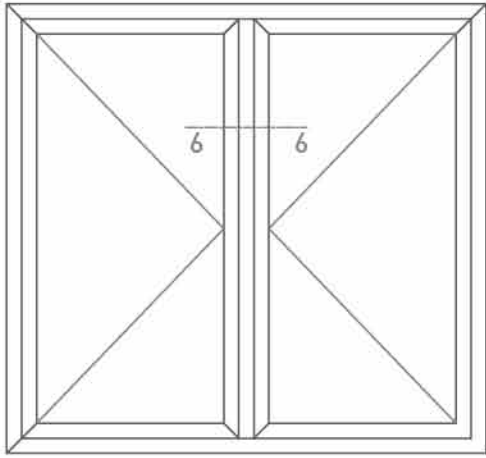
3-3 DETAY



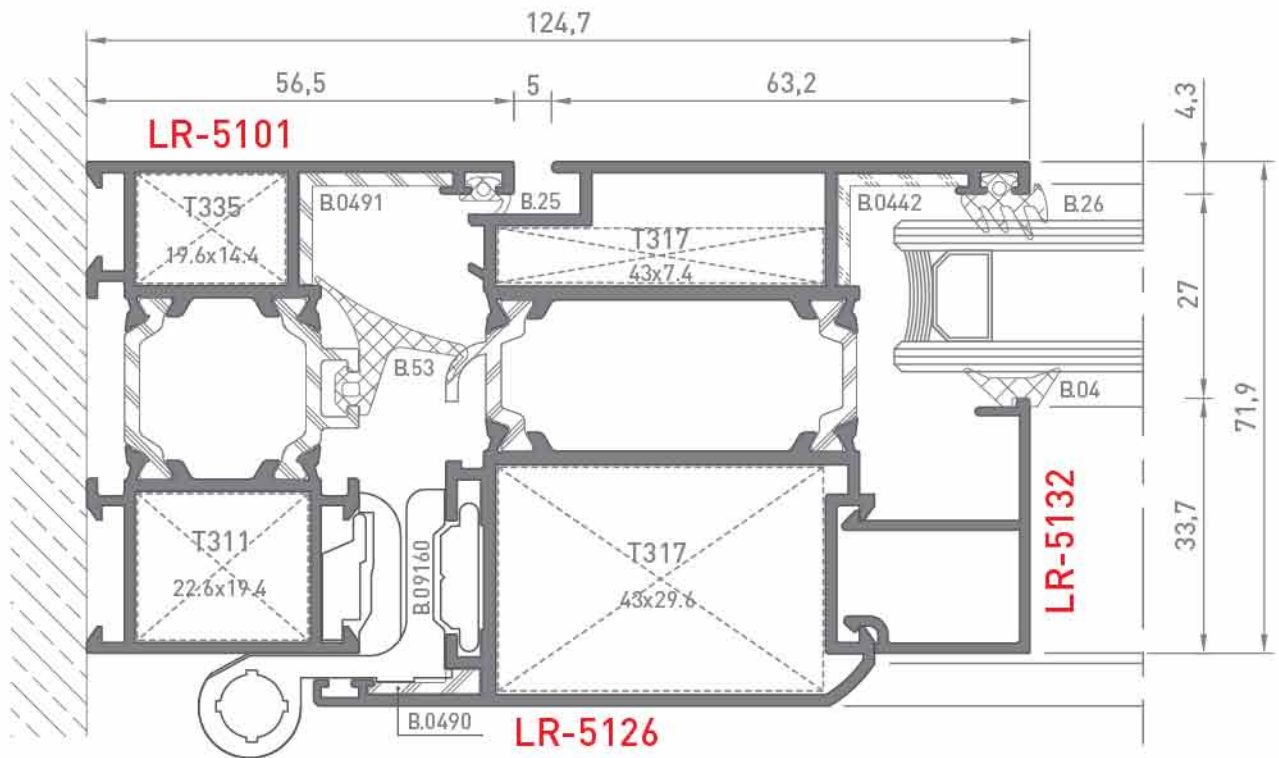
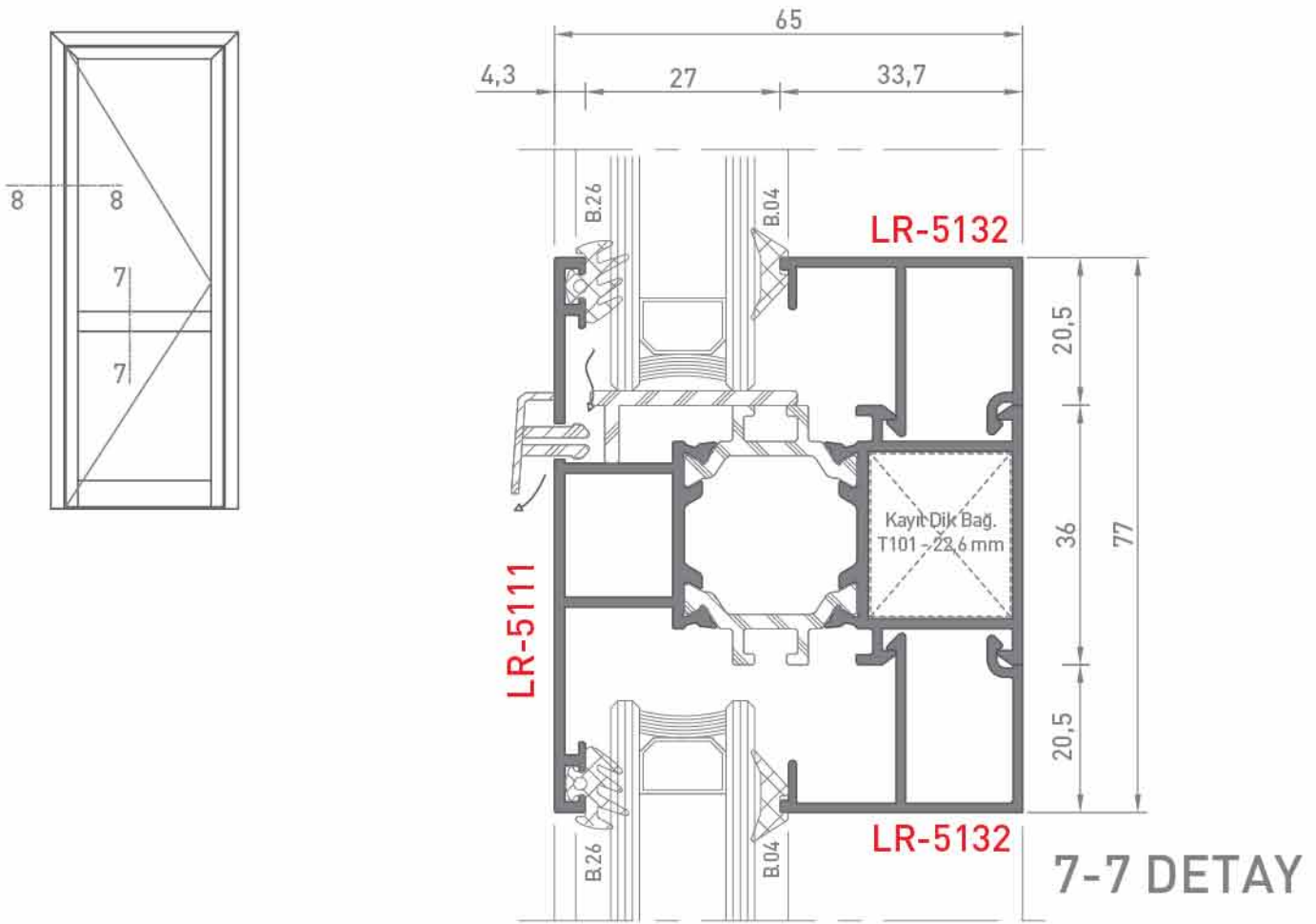
4-4 DETAY

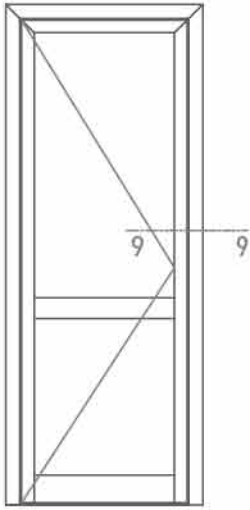


5-5 DETAY

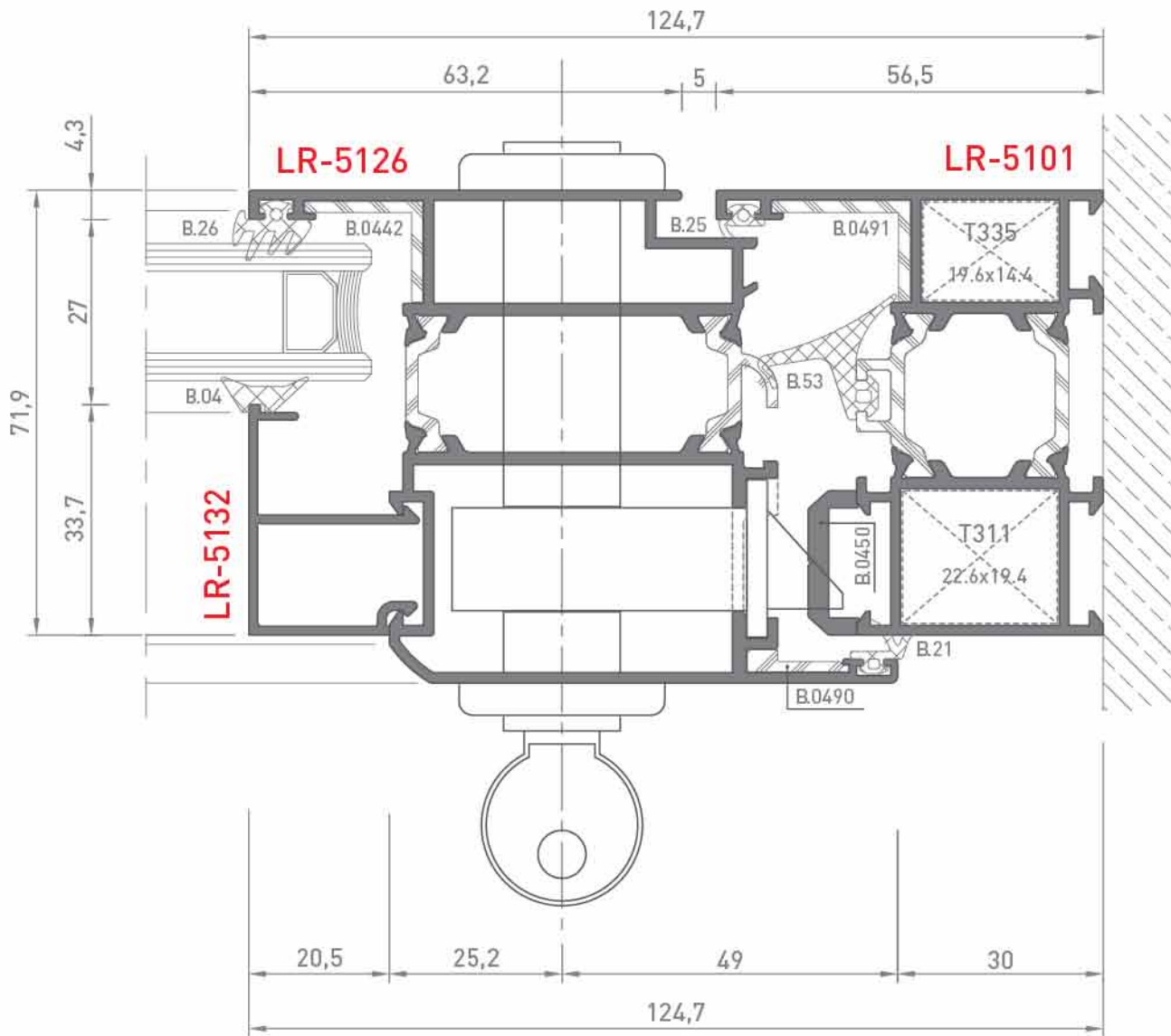


6-6 DETAY

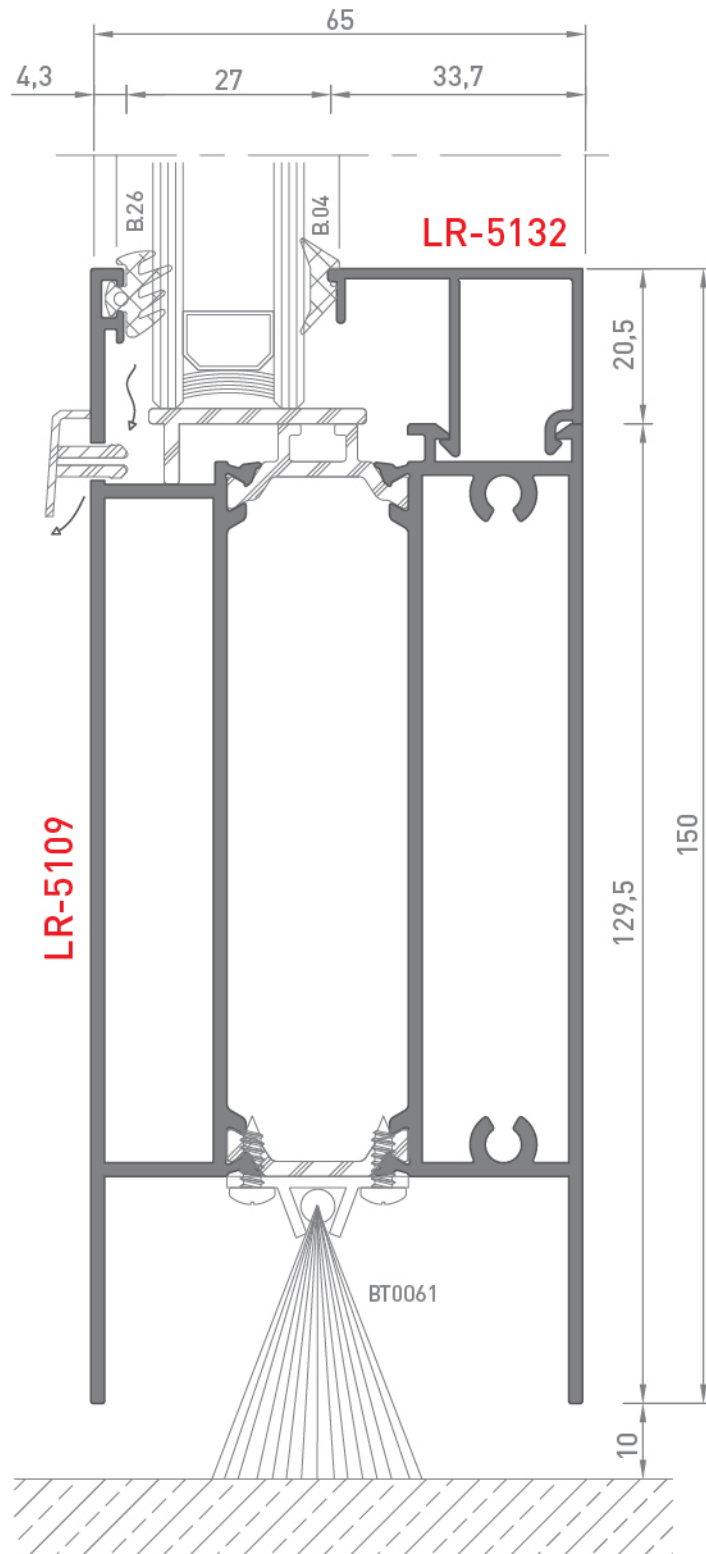
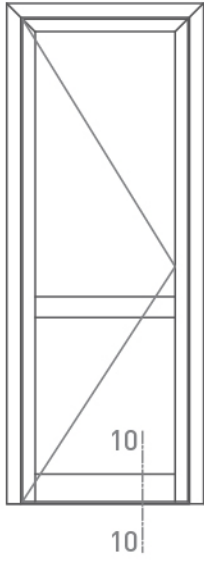




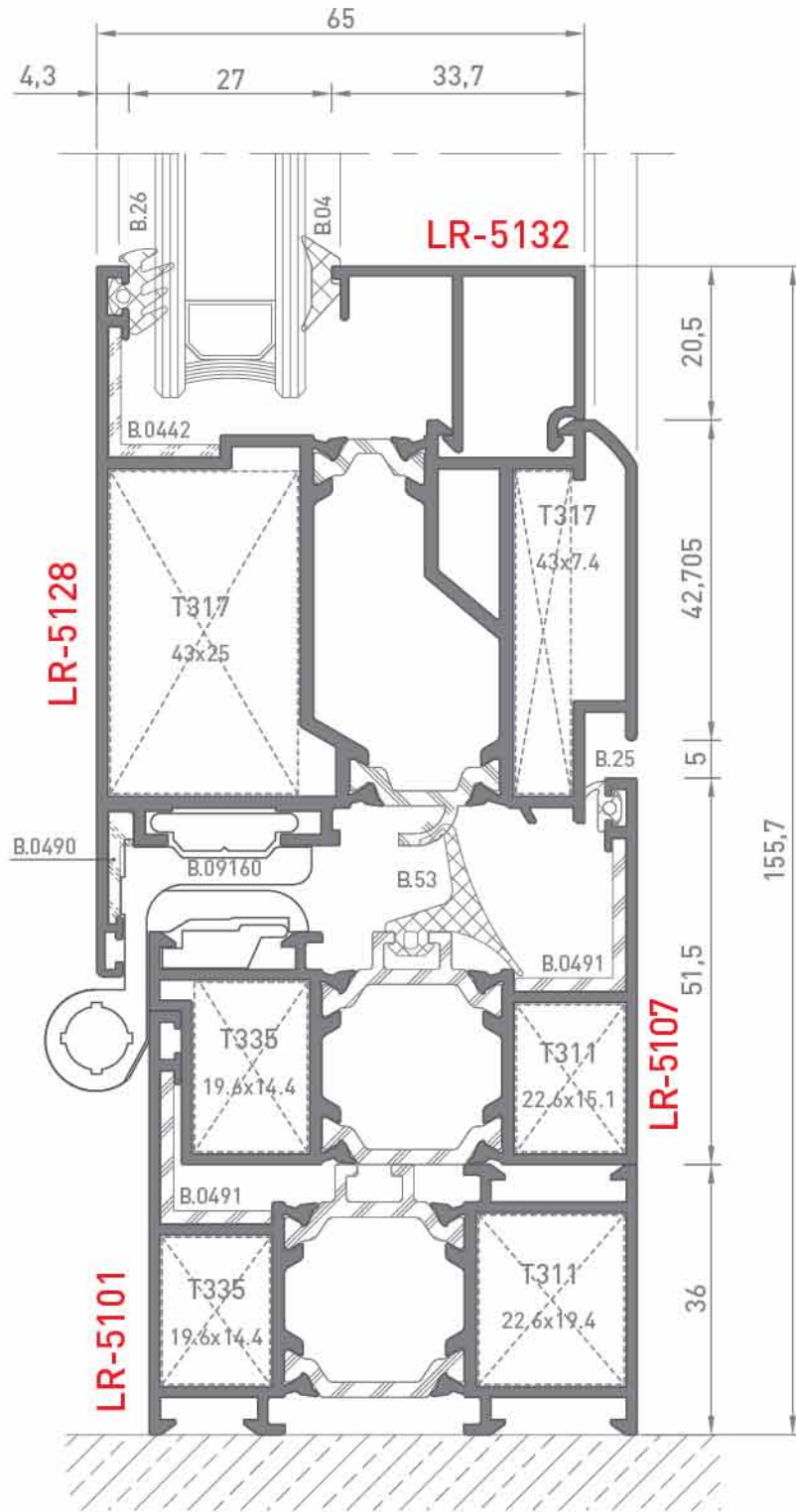
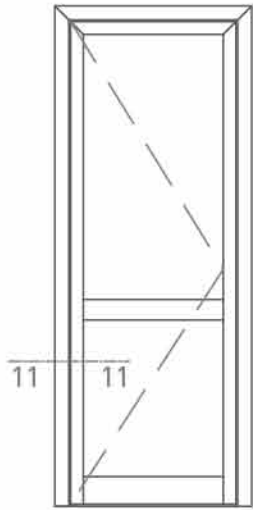
86 mm. Barel :BK1002
 153 - 30 Kilit :BK2102
 Kilit Karşılık :B.0450



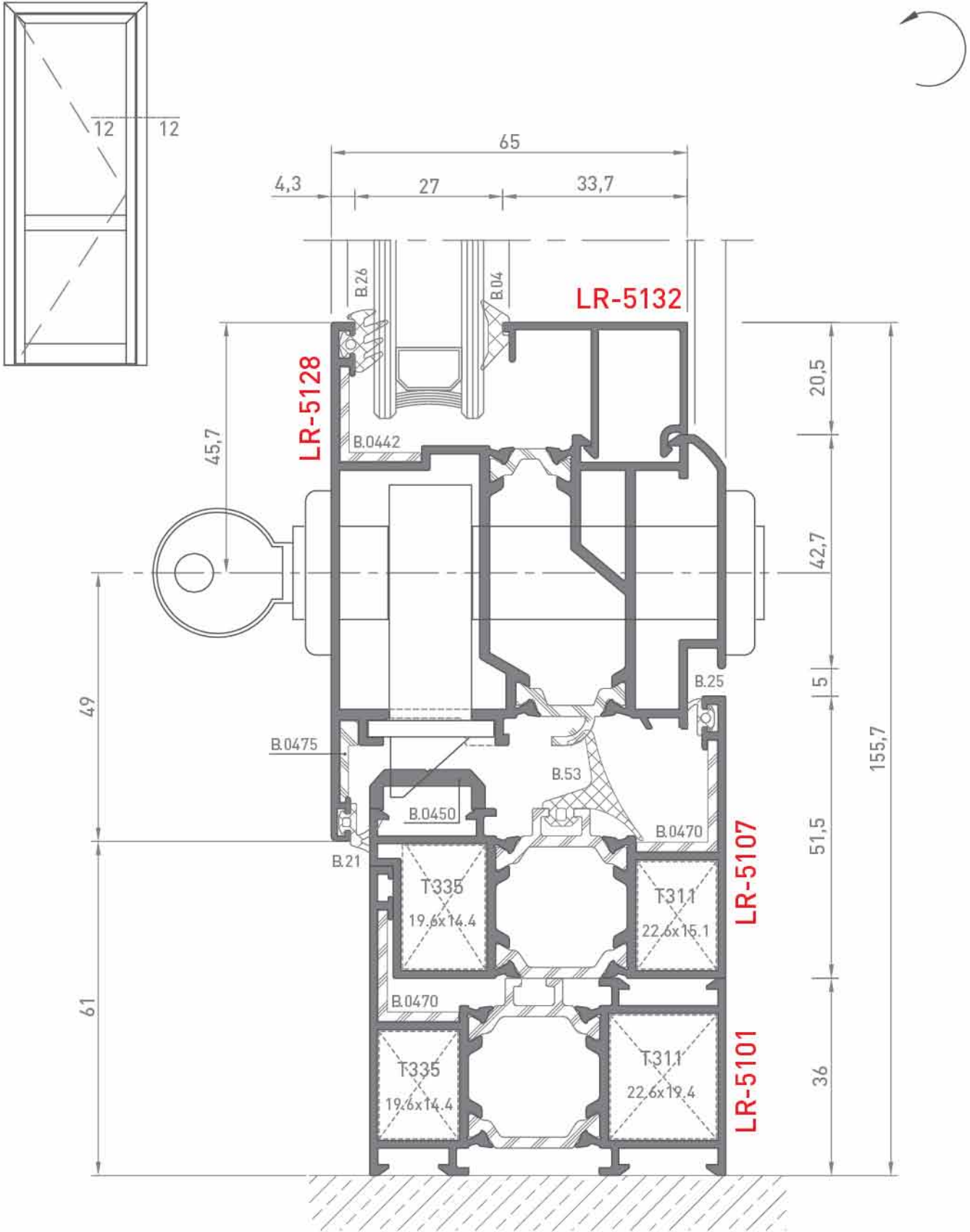
9-9 DETAY



10-10 DETAY

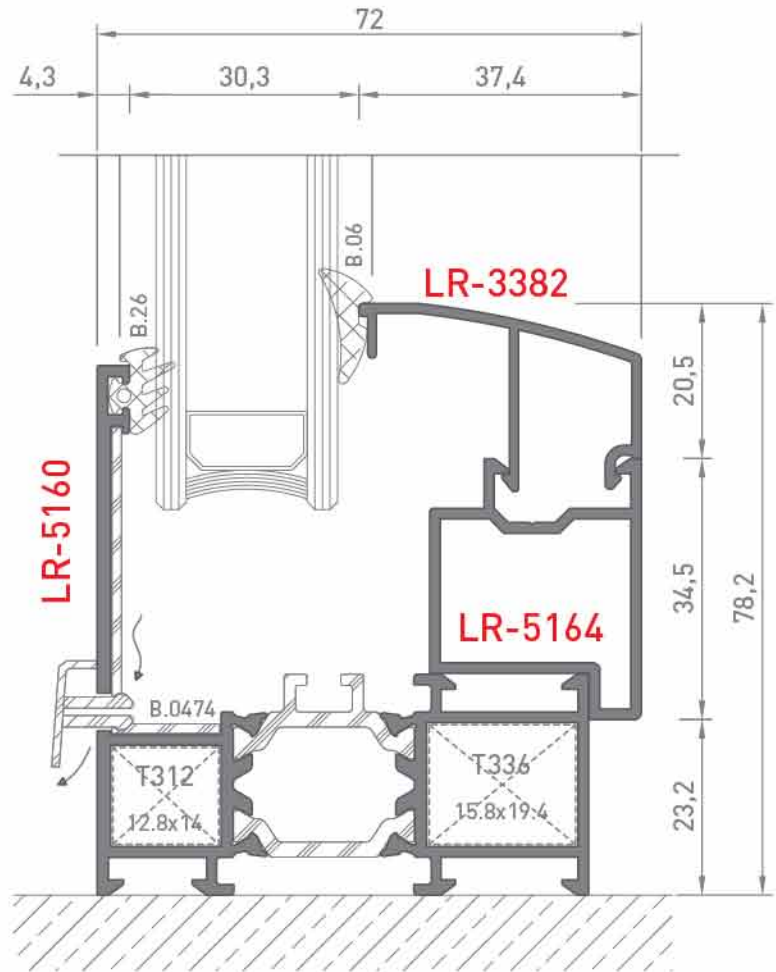
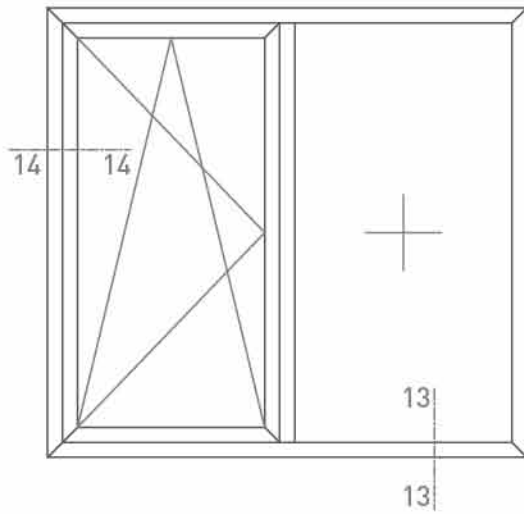


11-11 DETAY

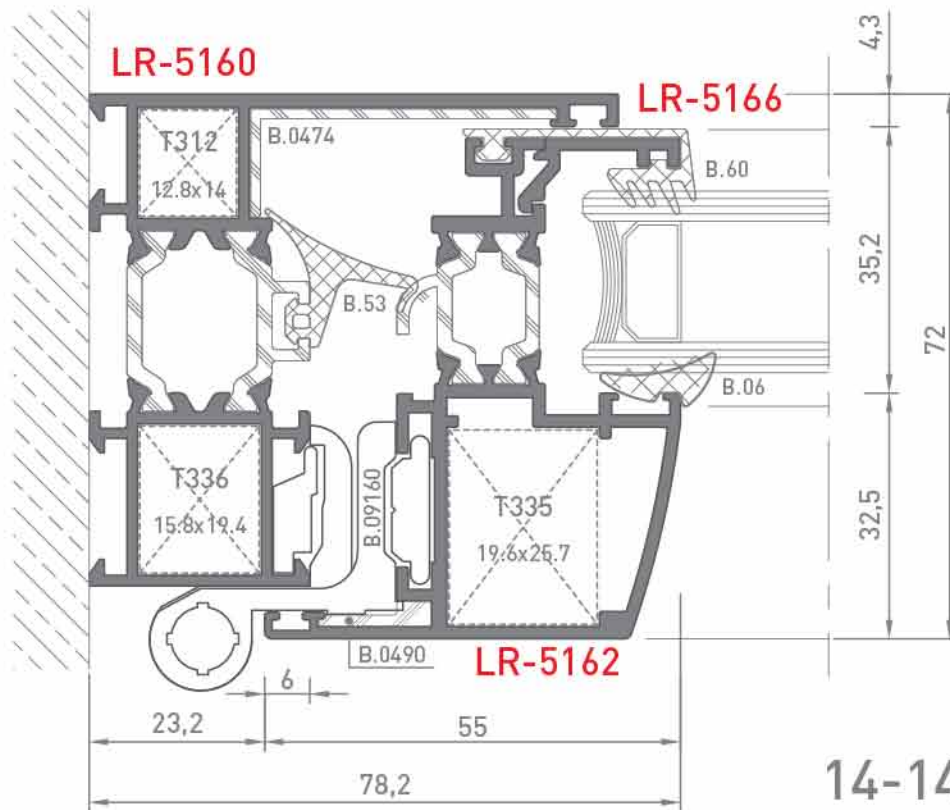


86 mm. Barel :BK1002
 153 - 30 Kilit :BK2102
 Kilit Karşılık :B.0450

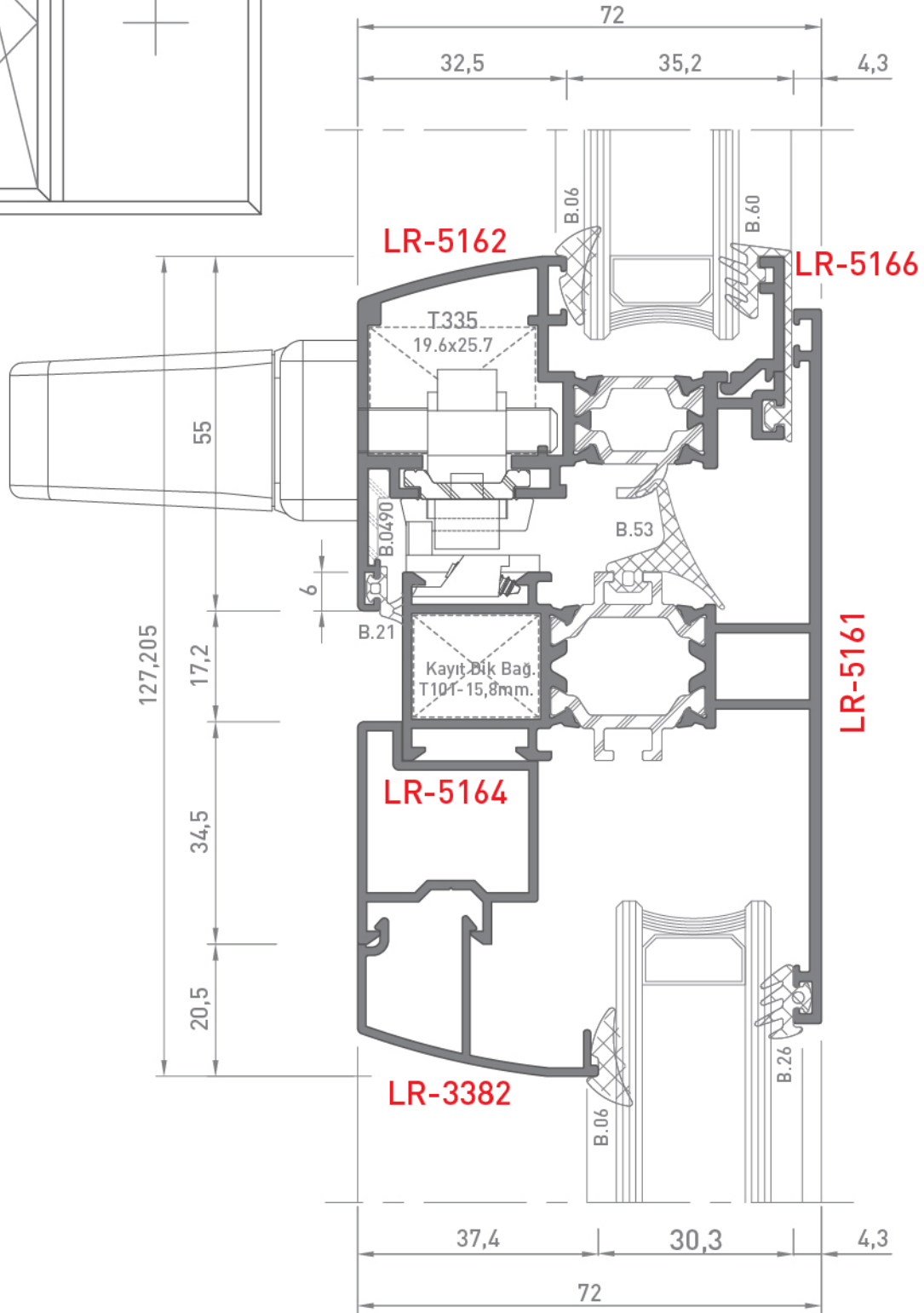
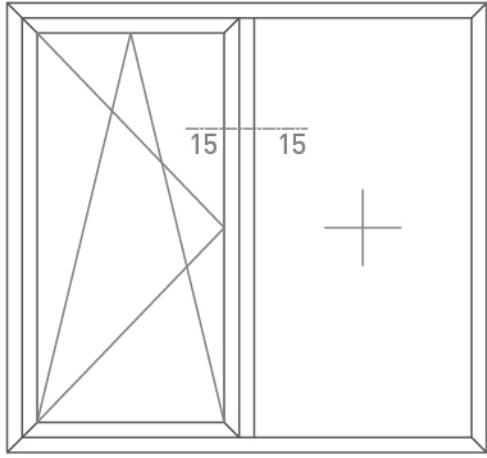
12-12 DETAY



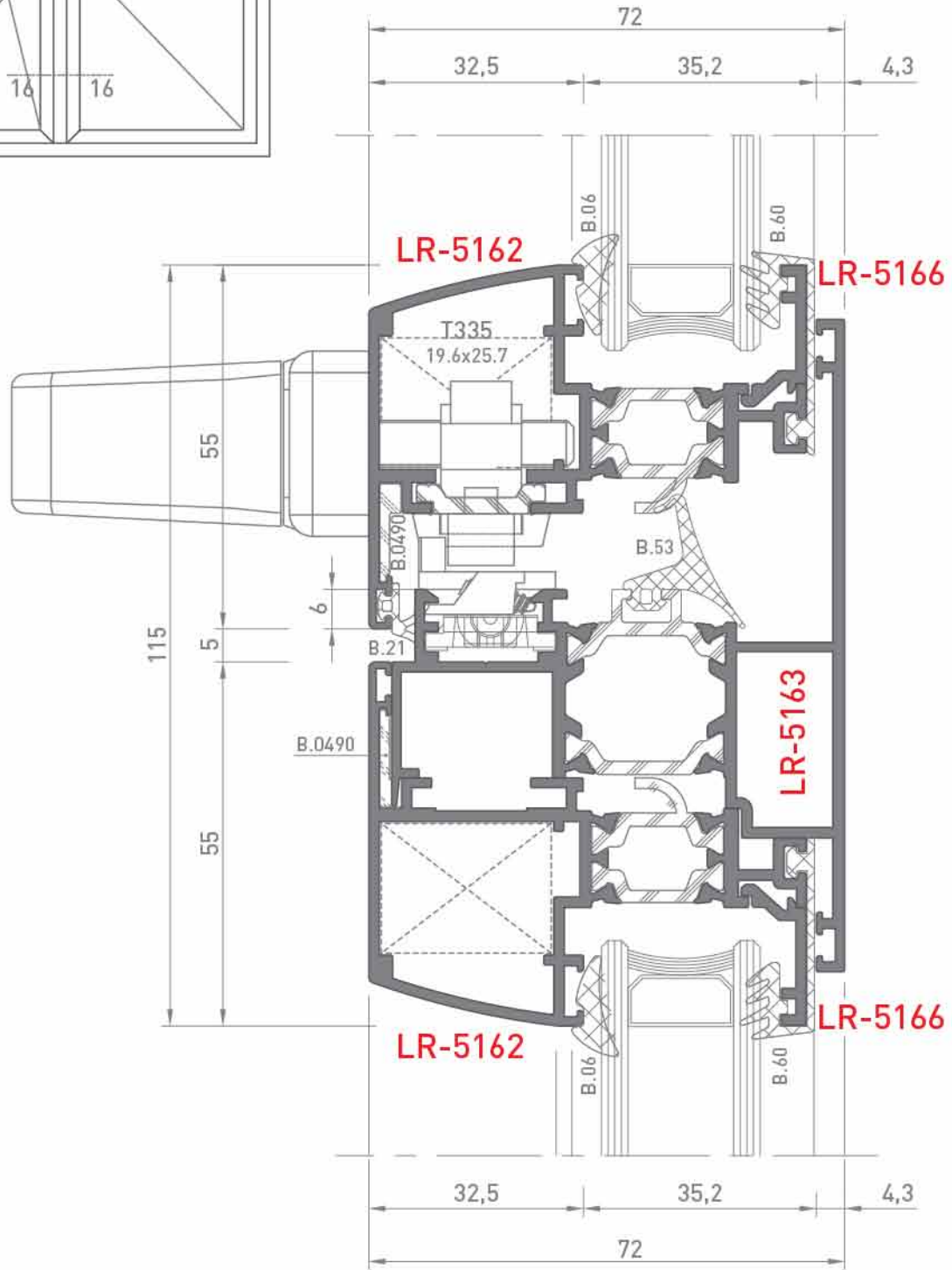
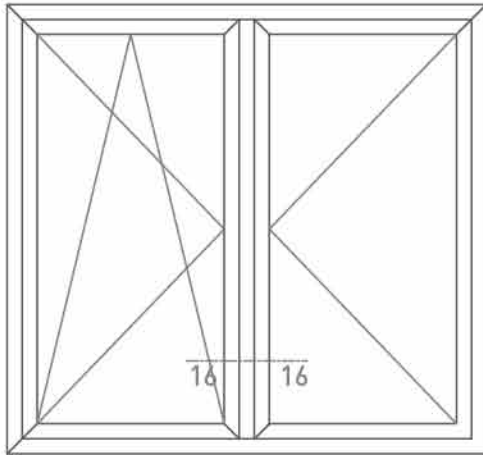
13-13 DETAY



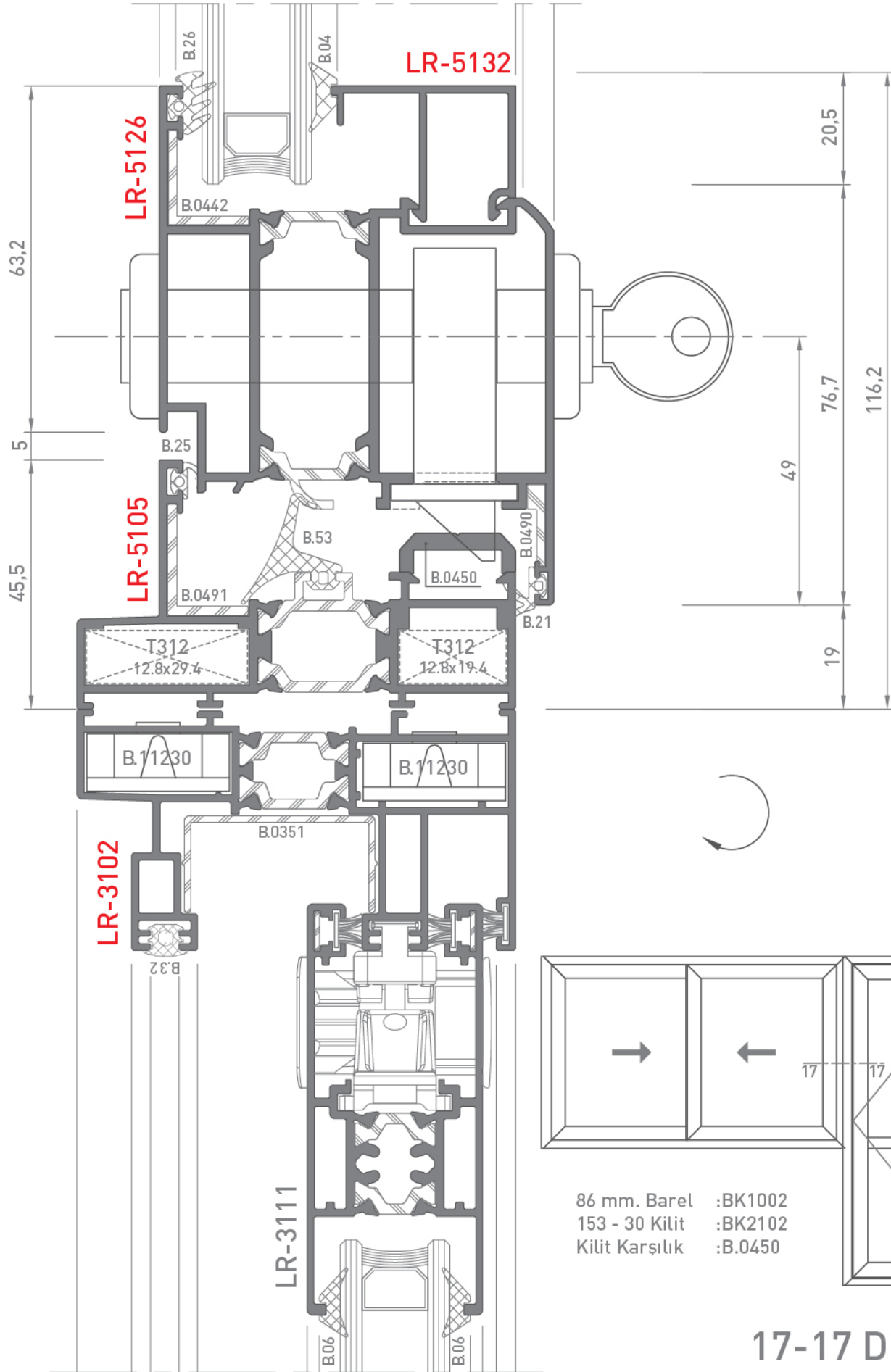
14-14 DETAY



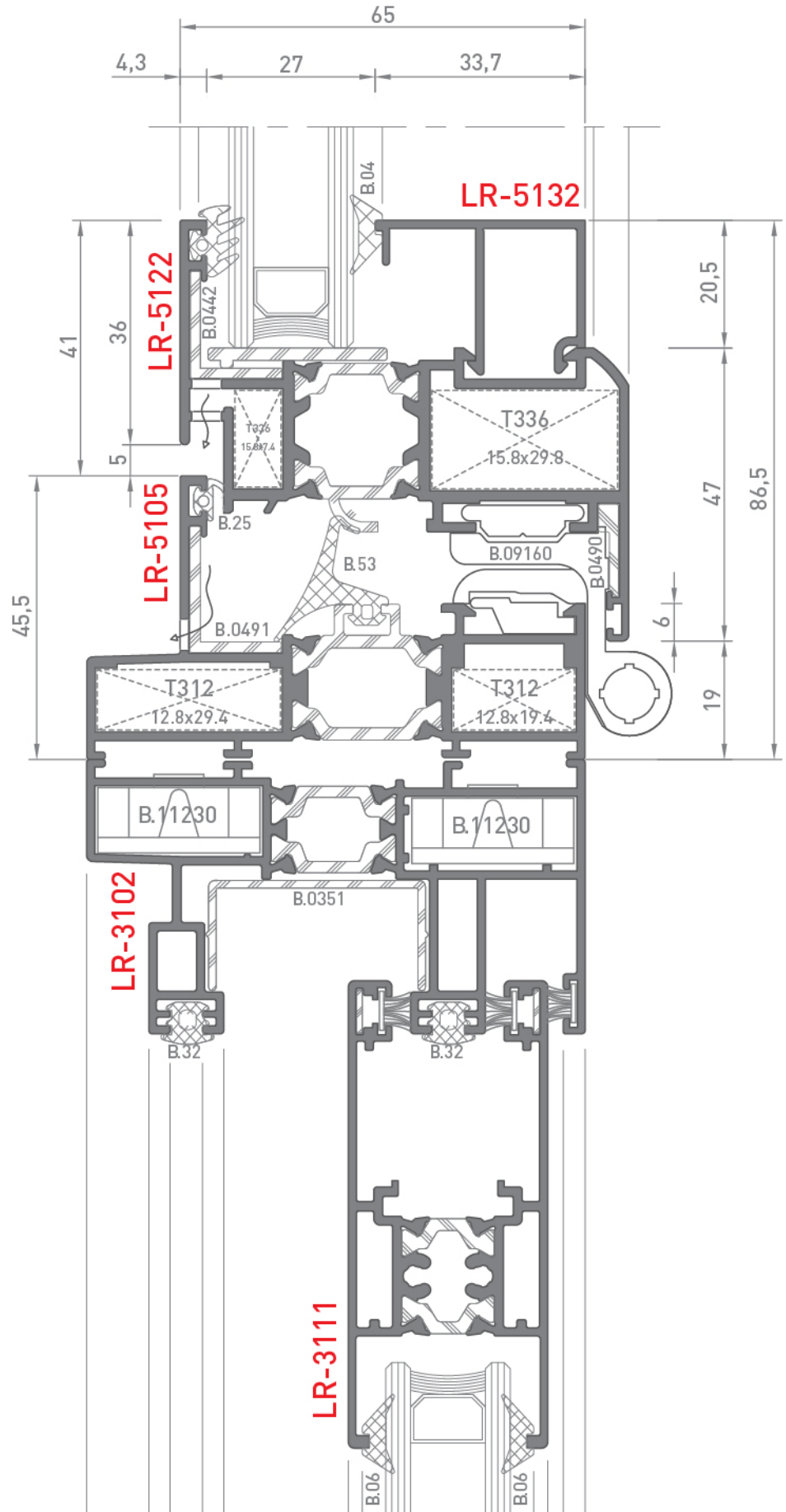
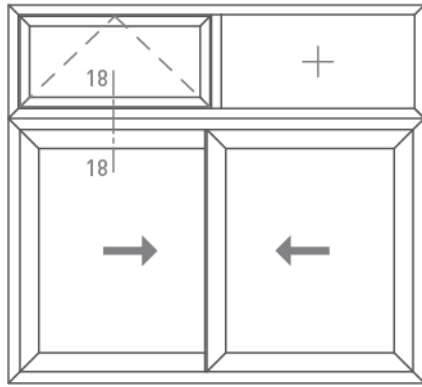
15-15 DETAY



16-16 DETAY



17-17 DETAY

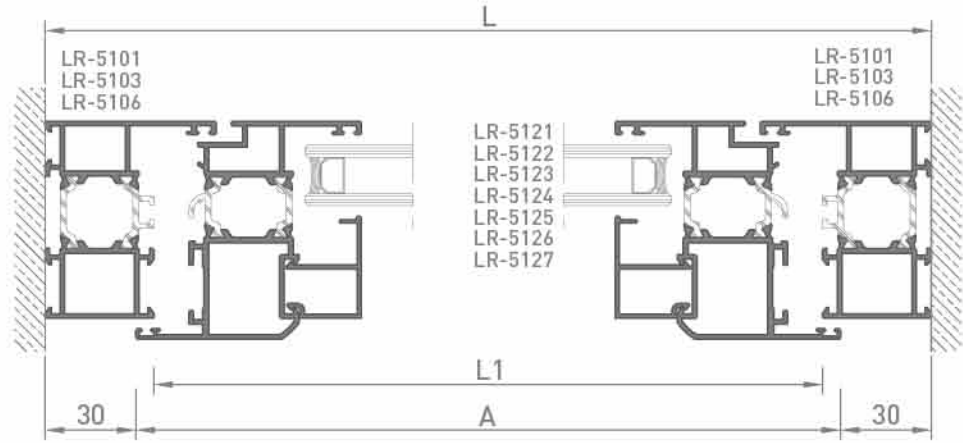
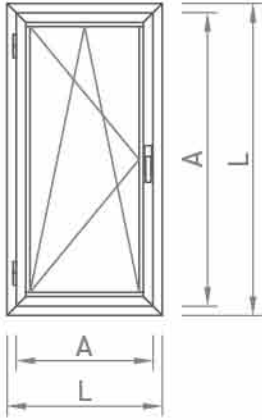


18-18 DETAY

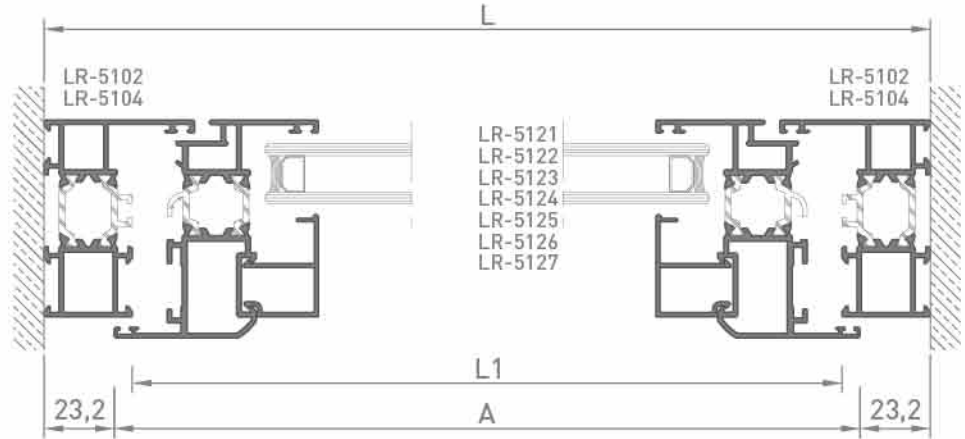
LINEA ROSSA

LR5100
SLIDING SYSTEM

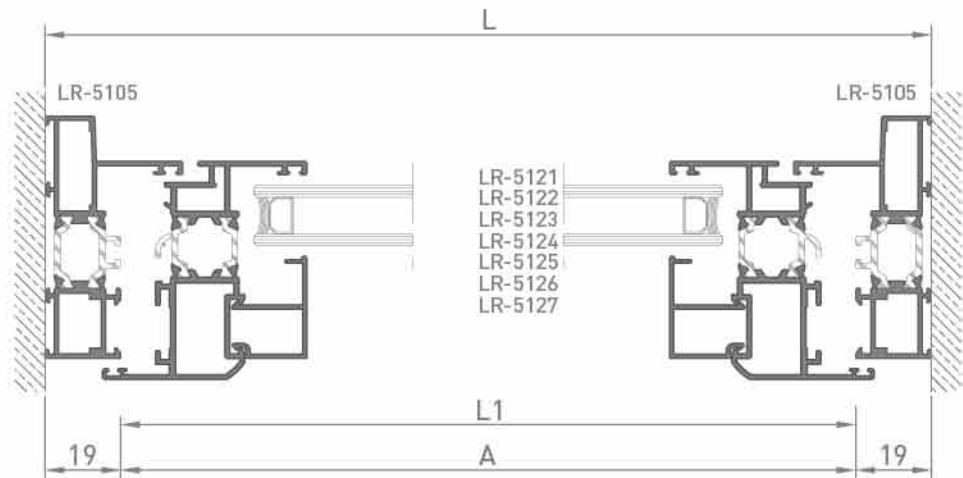
TEKNİK KATALOG
DETAYLAR

Kanat Kesim Ölçüsü

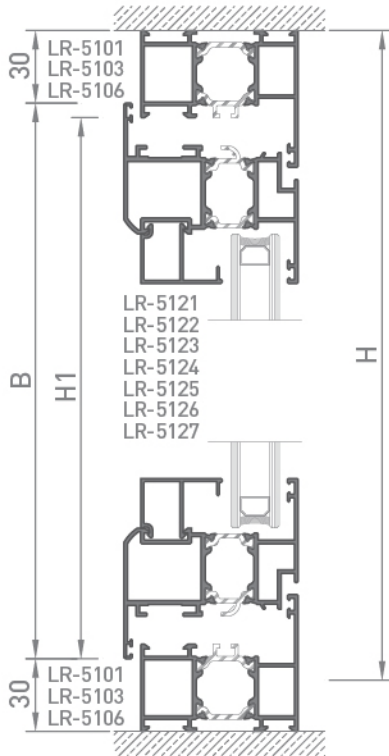
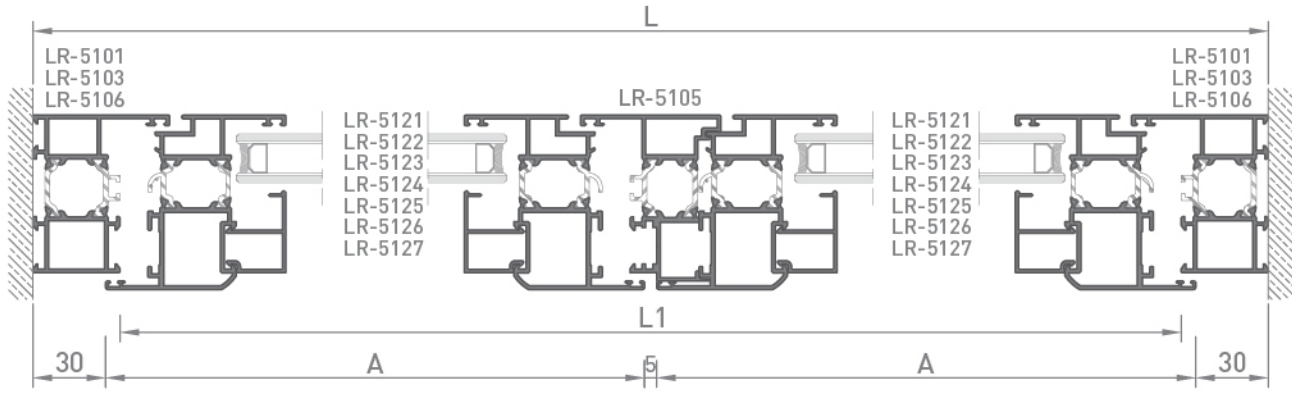
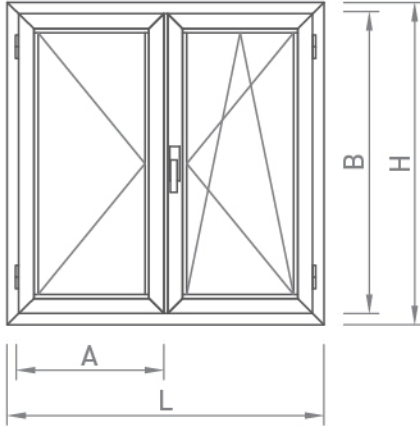
$$A = L - 60 \text{ mm.} \quad A = L1 + 12 \text{ mm.}$$

Kanat Kesim Ölçüsü

$$A = L - 46,4 \text{ mm.} \quad A = L1 + 12 \text{ mm.}$$

Kanat Kesim Ölçüsü

$$A = L - 38 \text{ mm.} \quad A = L1 + 12 \text{ mm.}$$

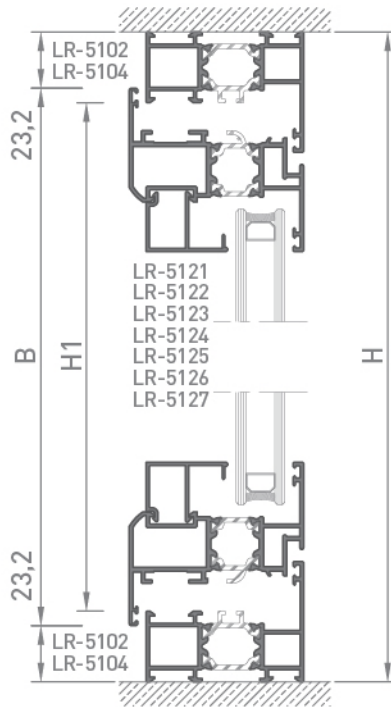
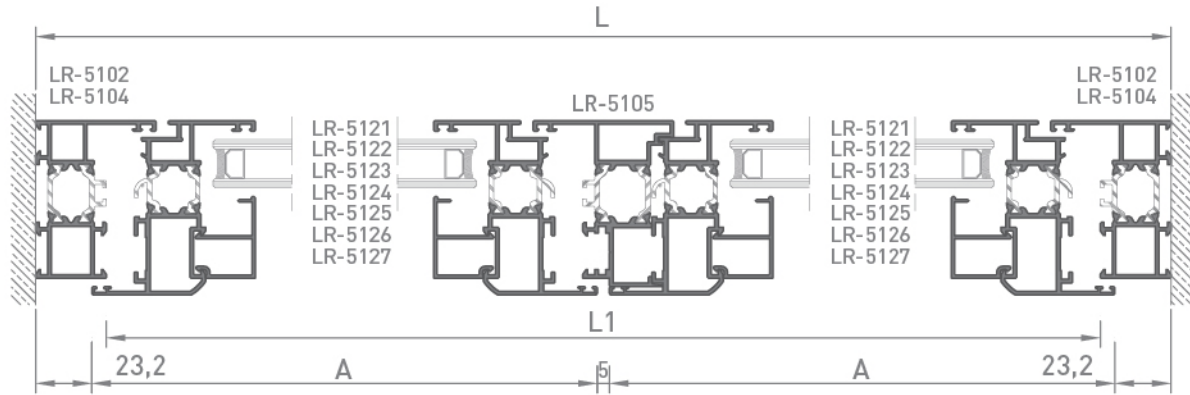
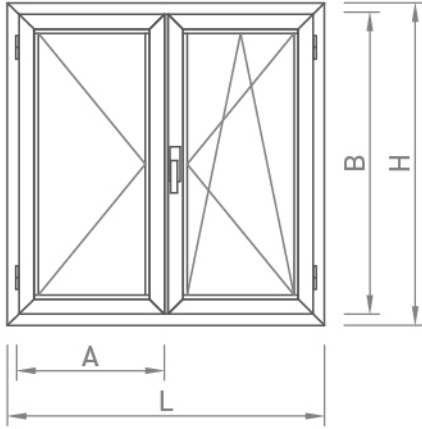


Kanat Geniřlięi

$$A = \frac{L - 65}{2} \text{ mm.} \quad A = \frac{L1 + 7}{2} \text{ mm.}$$

Kanat Ykseklięi

$$B = H - 60 \text{ mm.} \quad B = H1 + 12 \text{ mm.}$$

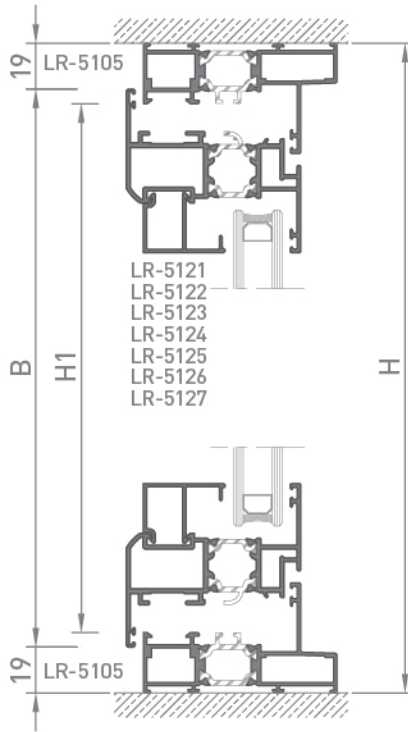
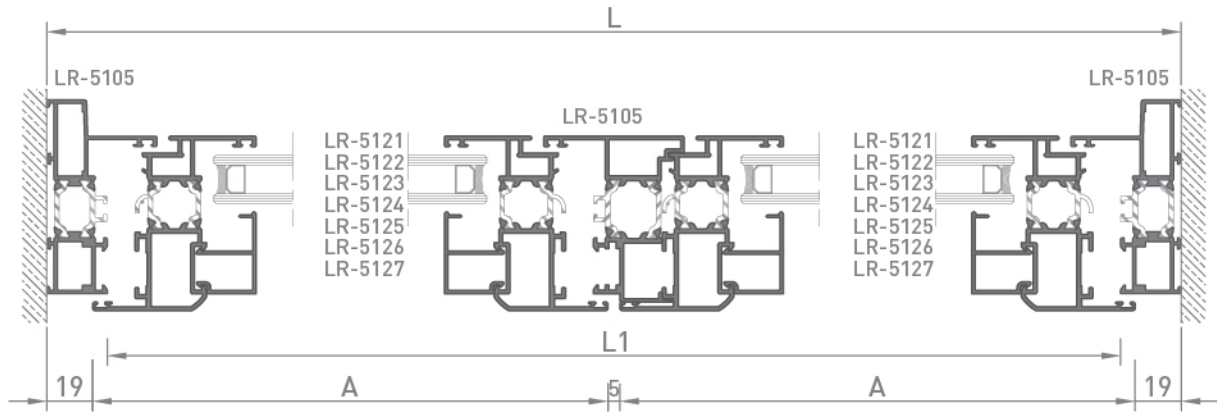
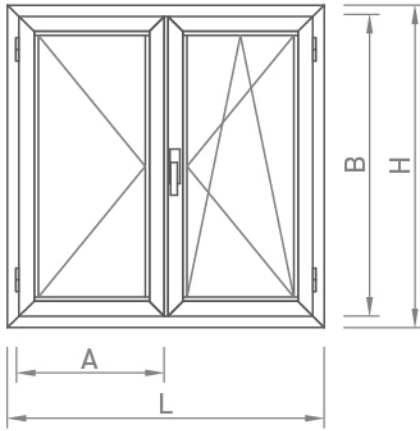


Kanat Geniřlięi

$$A = \frac{L - 51,4}{2} \text{ mm.} \quad A = \frac{L1 + 7}{2} \text{ mm.}$$

Kanat Ykseklięi

$$B = H - 46,4 \text{ mm.} \quad B = H1 + 12 \text{ mm.}$$

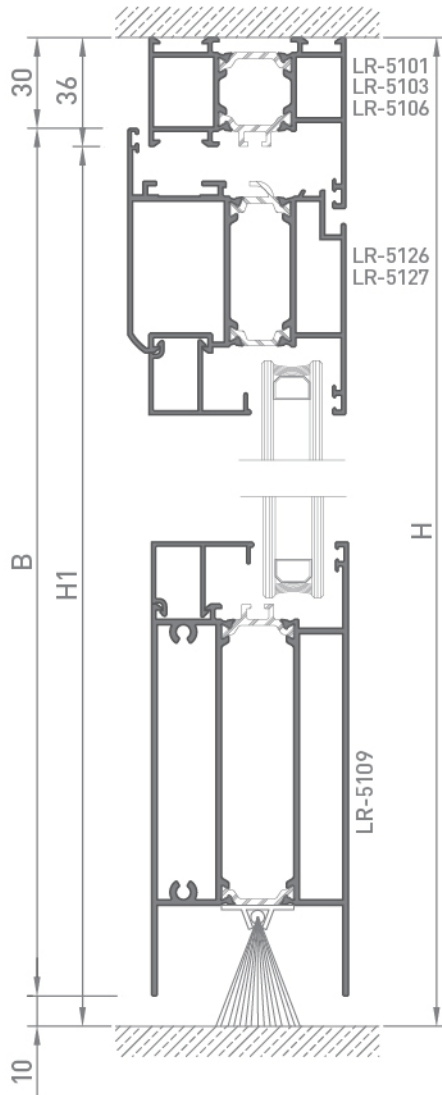
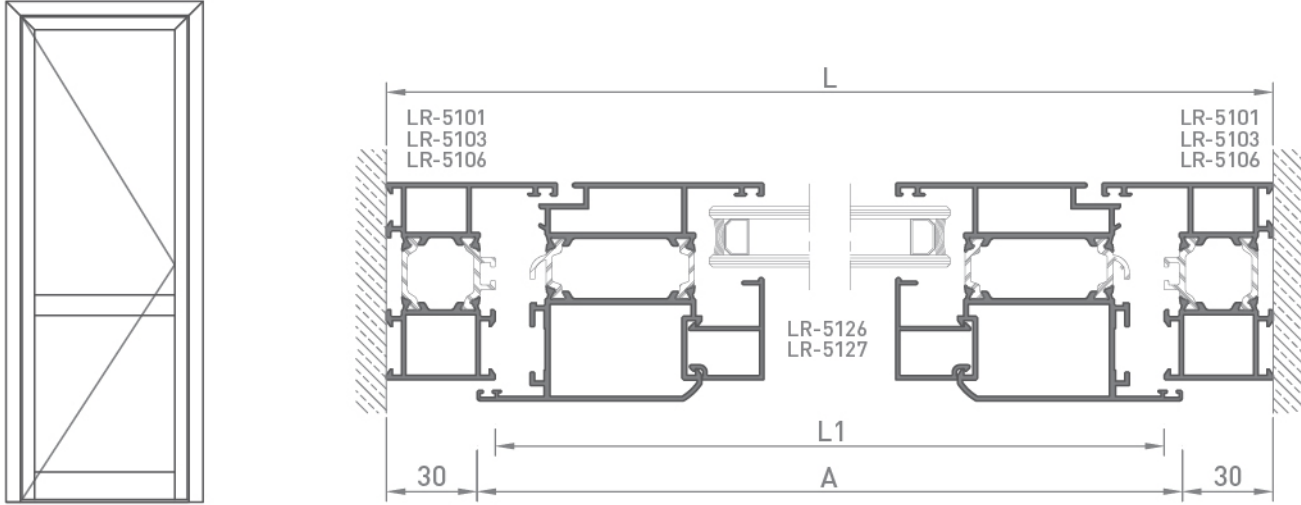


Kanat Geniřlięi

$$A = \frac{L - 43}{2} \text{ mm.} \quad A = \frac{L1 + 7}{2} \text{ mm.}$$

Kanat Ykseklięi

$$B = H - 38 \text{ mm.} \quad B = H1 + 12 \text{ mm.}$$



Kanat Kesim Ölçüsü

$$A = L - 60 \text{ mm.} \quad A = L1 + 12 \text{ mm.}$$

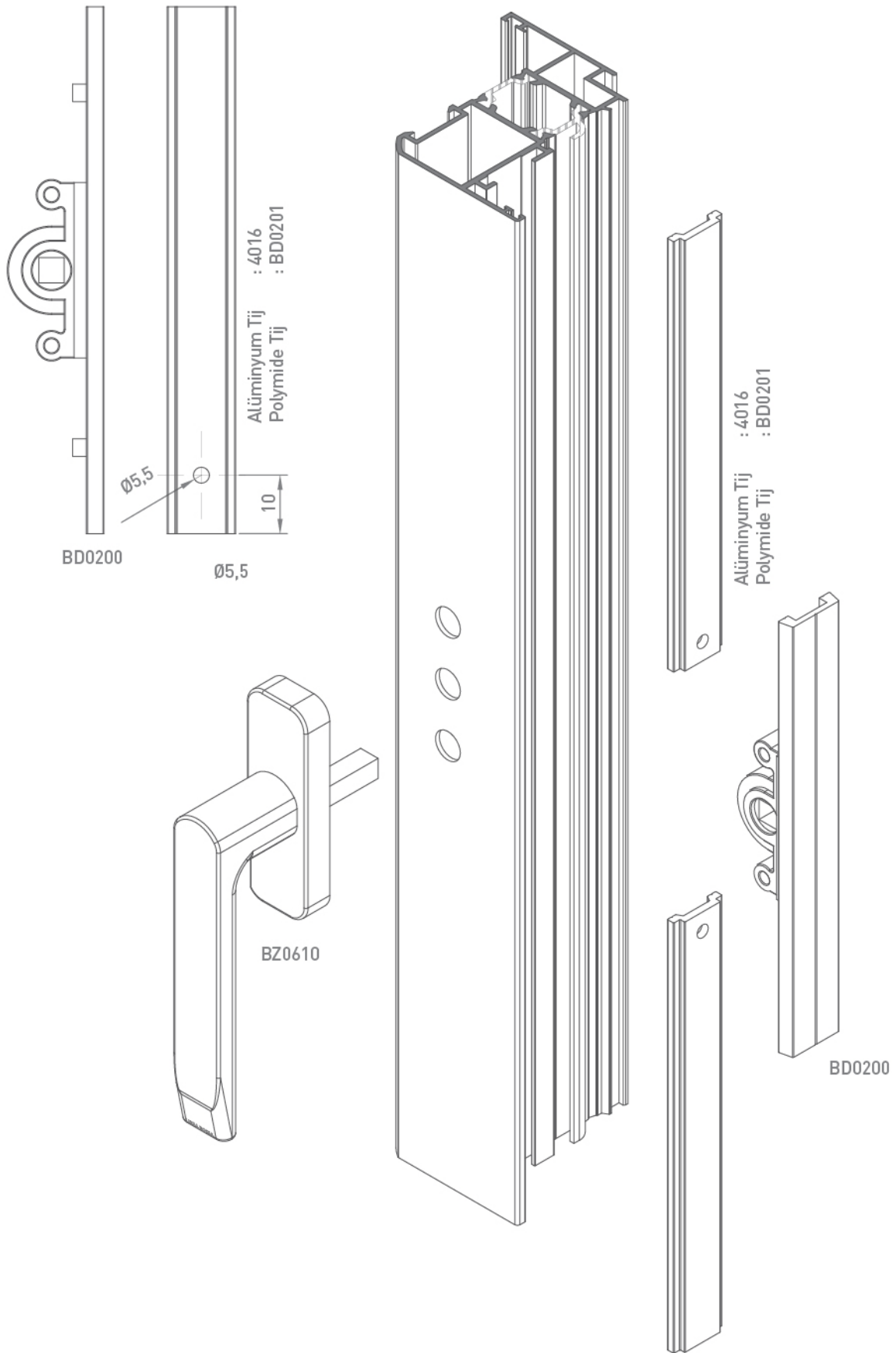
Kanat Yüksekliği

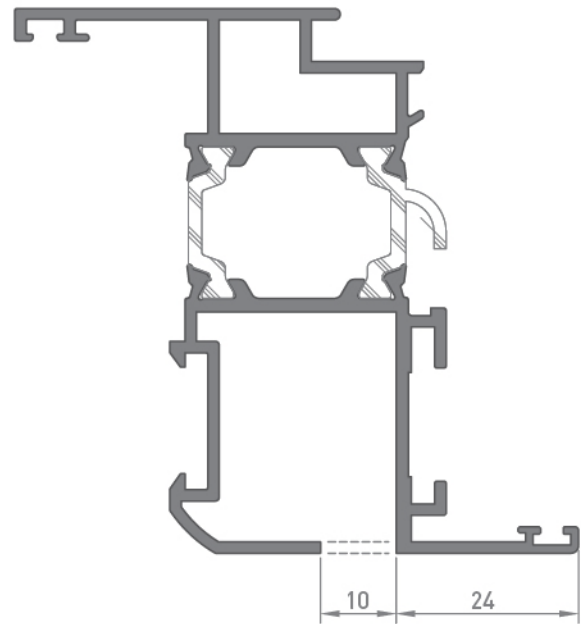
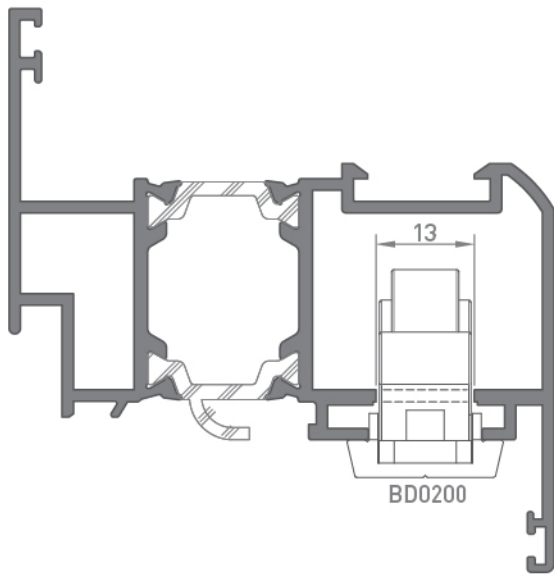
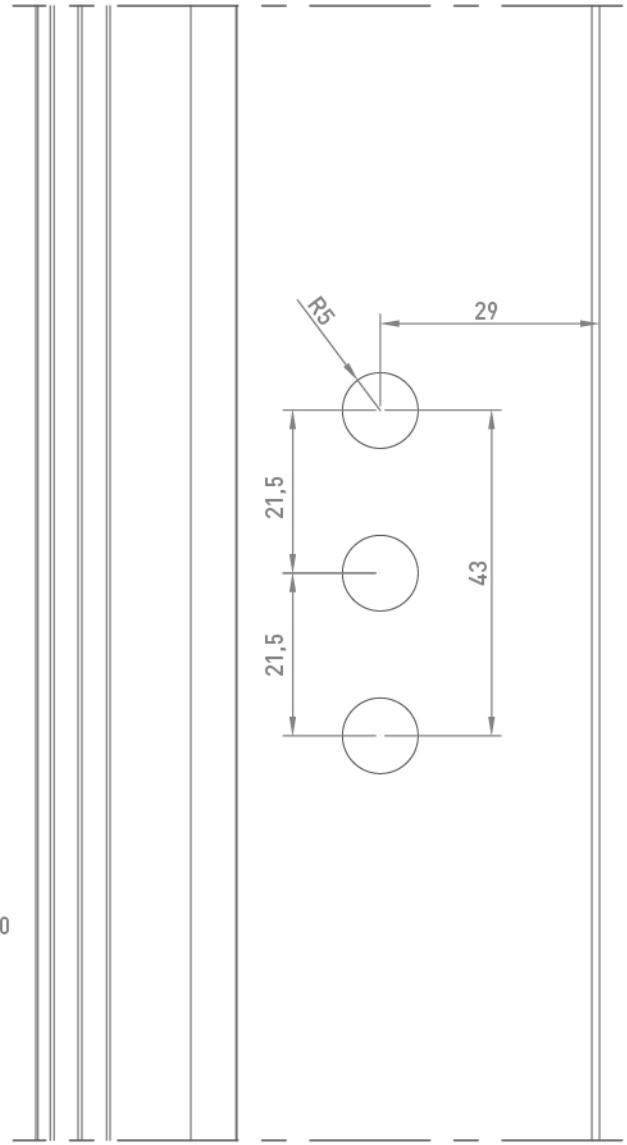
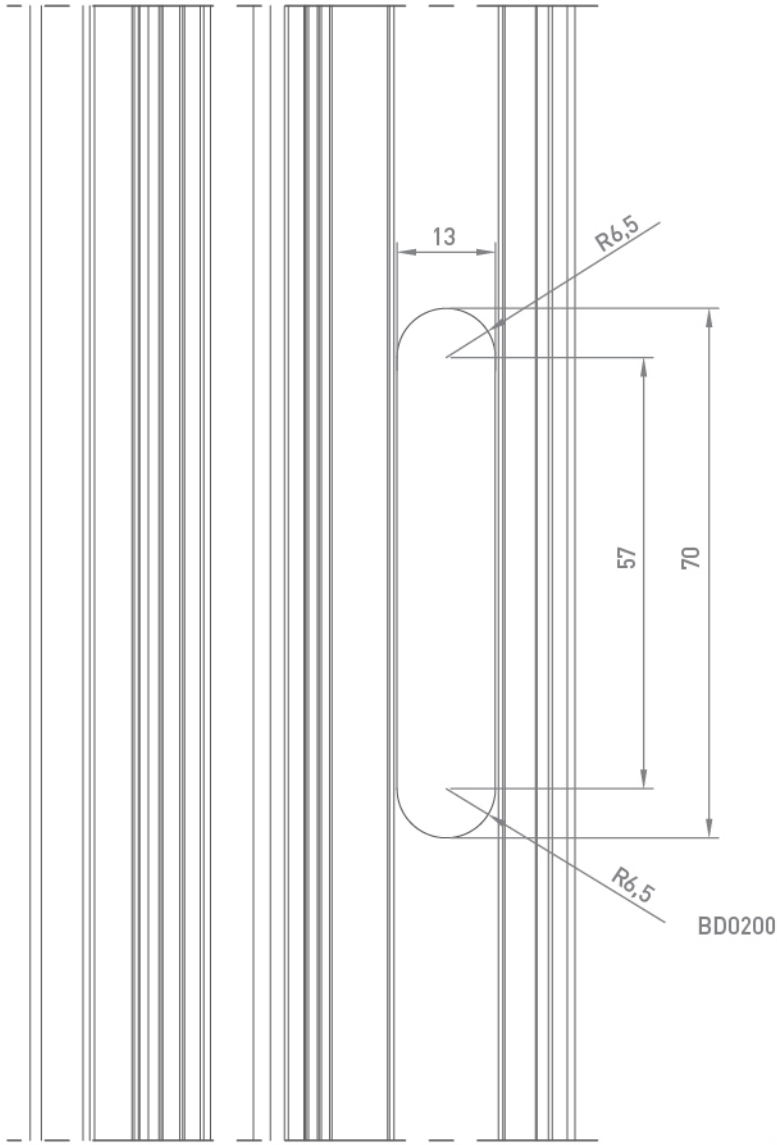
$$B = H - 40 \text{ mm.} \quad B = H1 - 4 \text{ mm.}$$

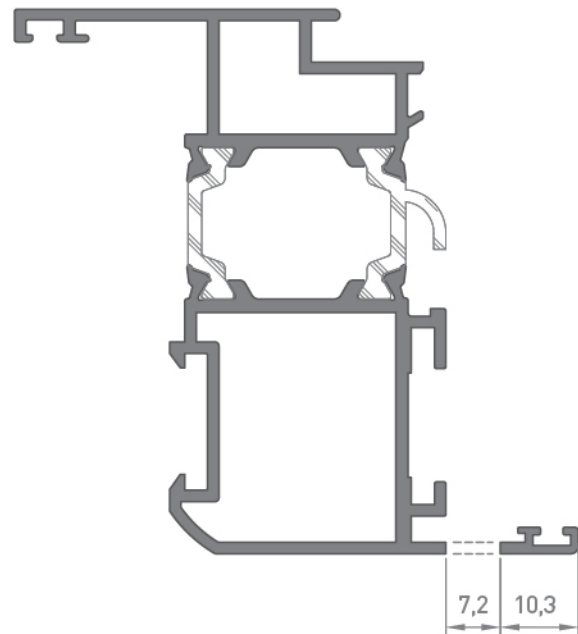
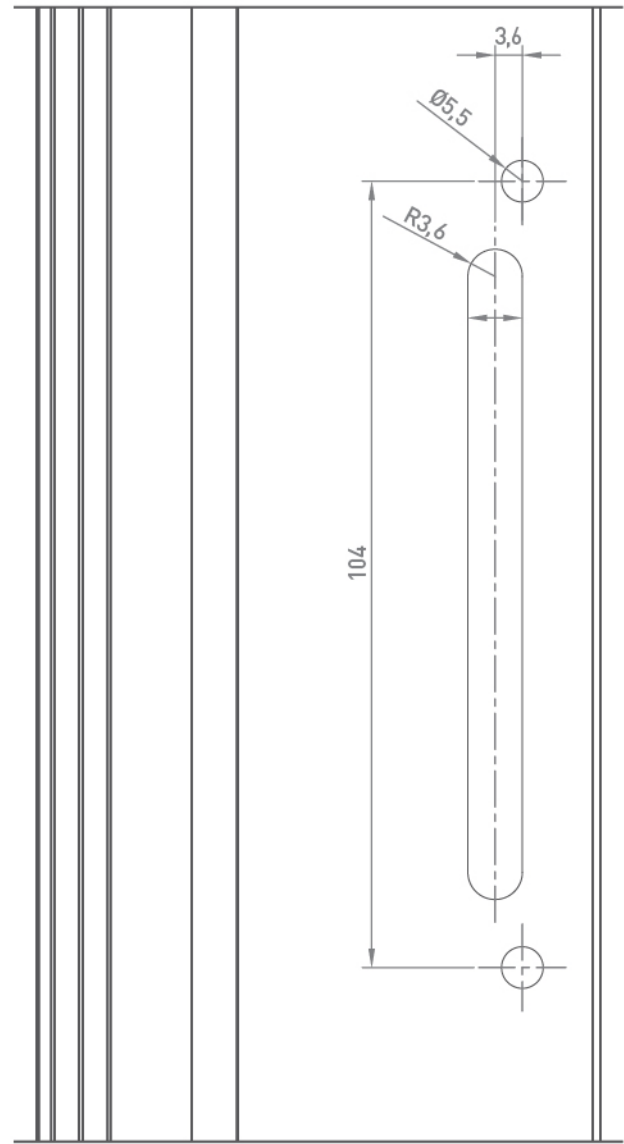
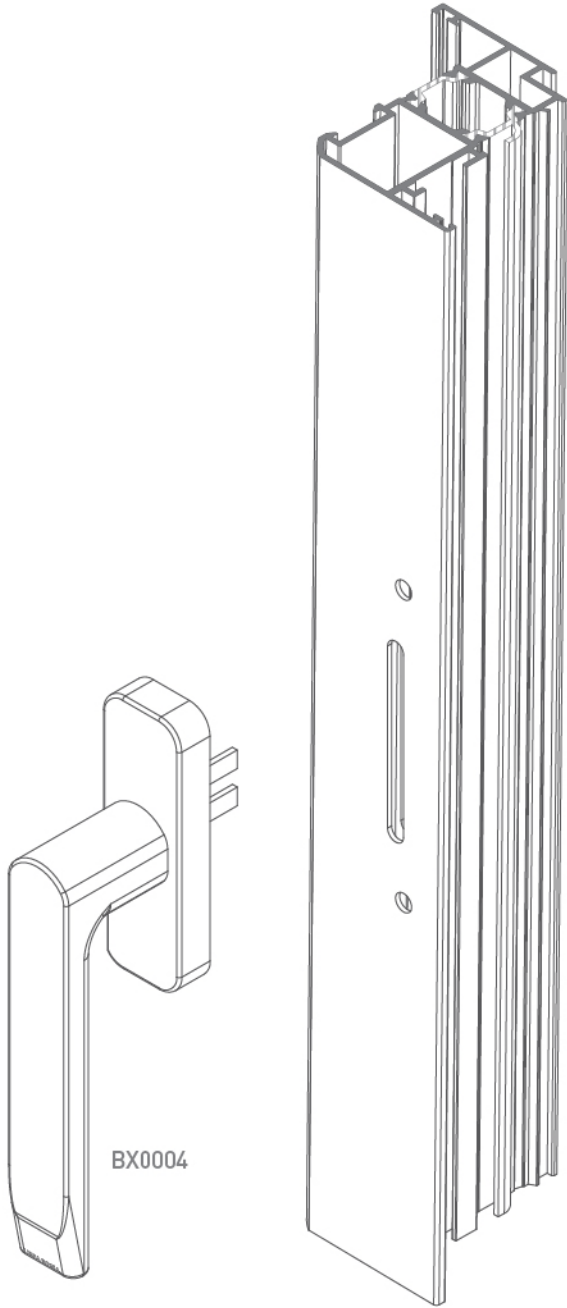
LINEA ROSSA

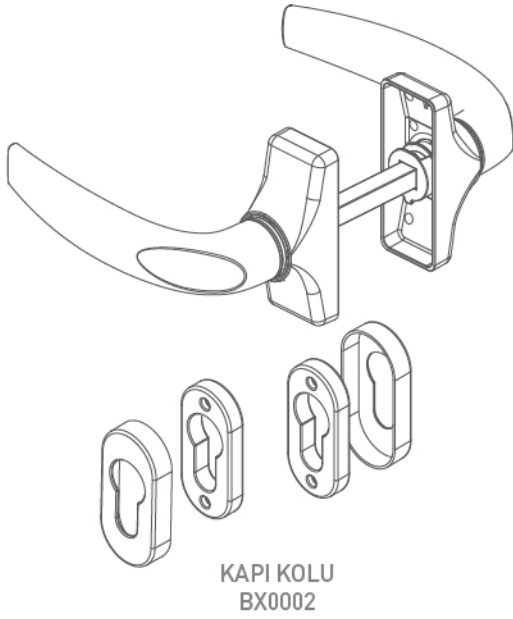
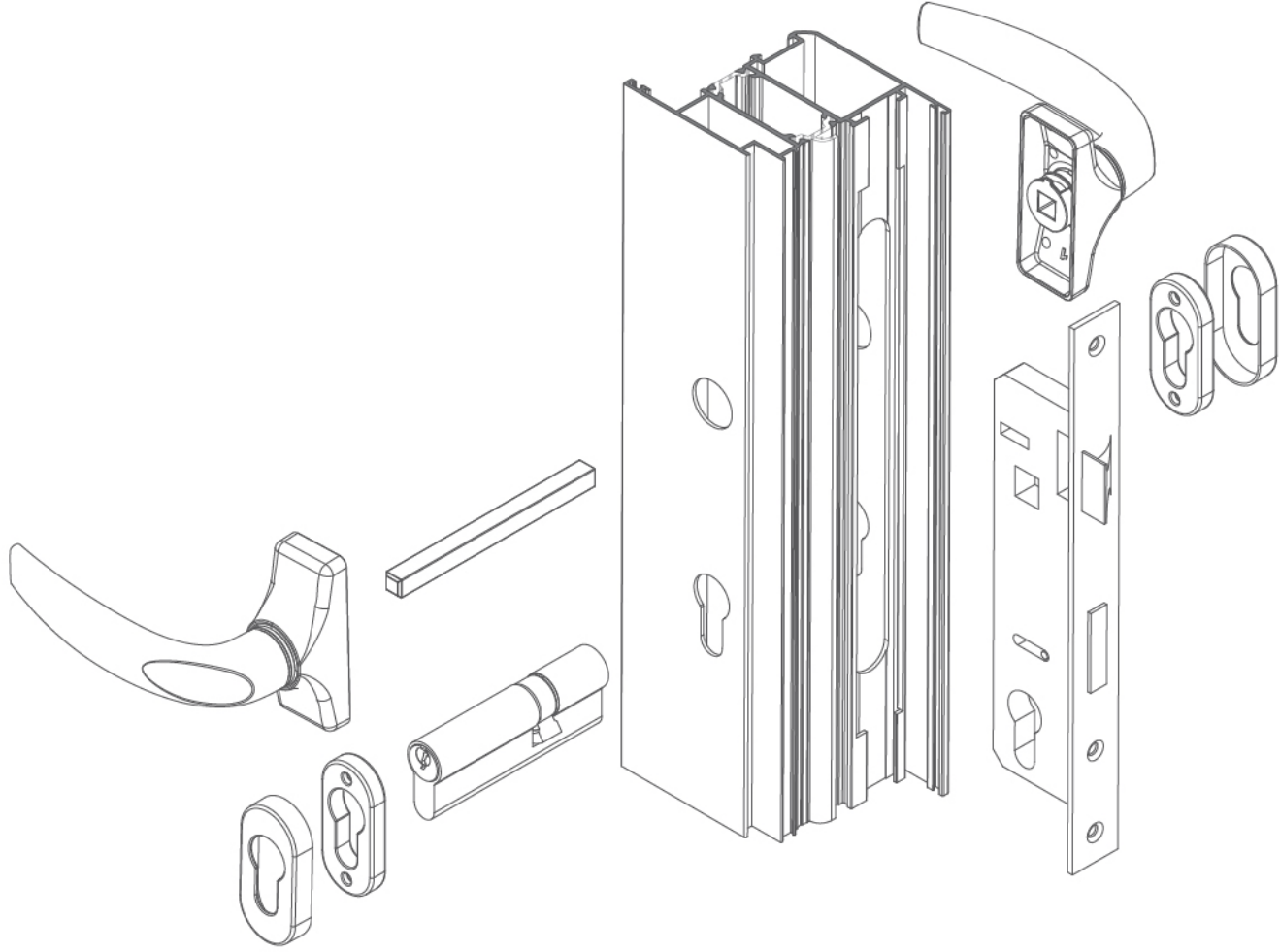
LR5100
SLIDING SYSTEM

TEKNİK KATALOG
DETAY ÖLÇÜLERİ

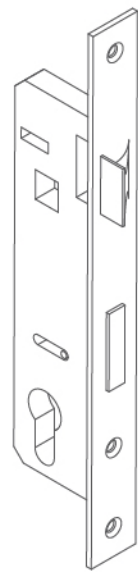




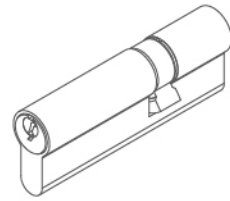




KAPI KOLU
BX002



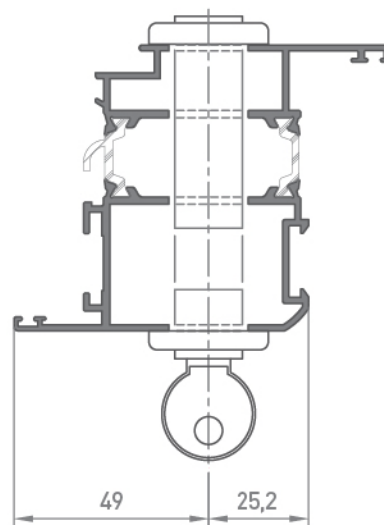
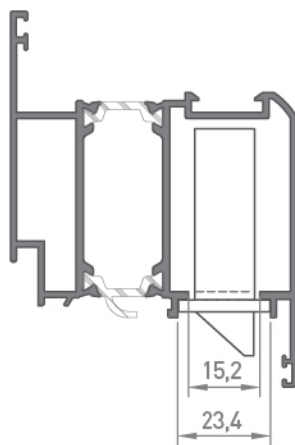
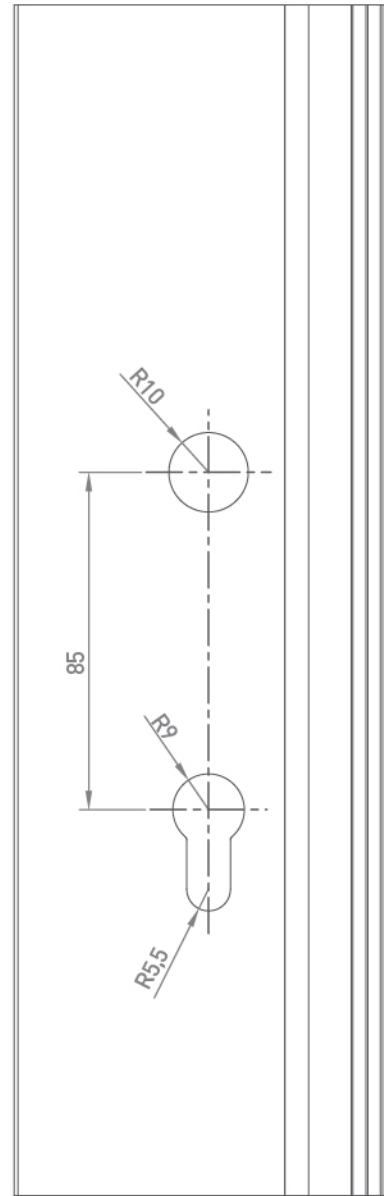
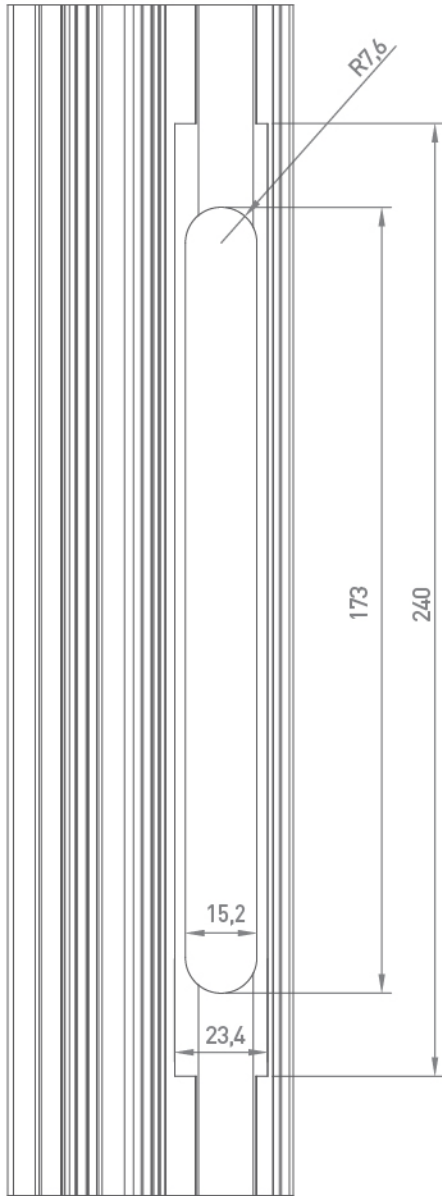
DILLI KİLİT : BK2102
MAKARALI KİLİT : BK2112

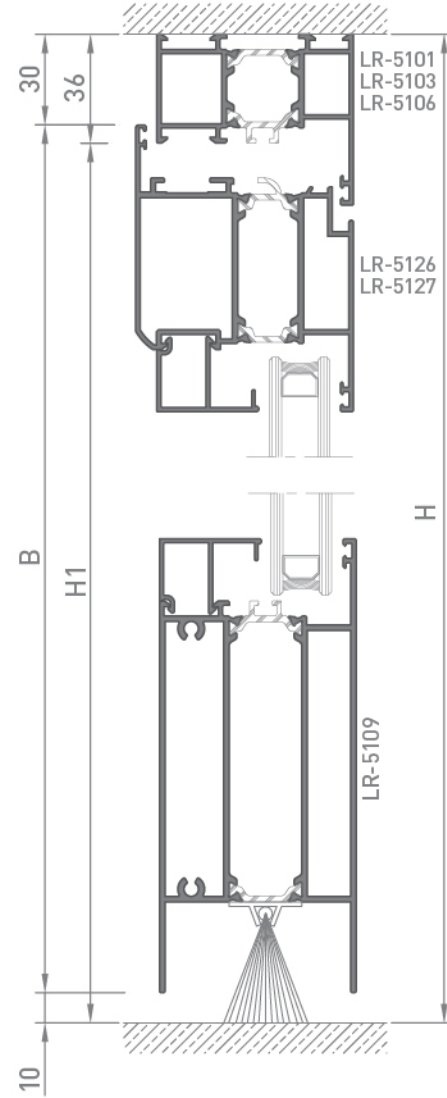
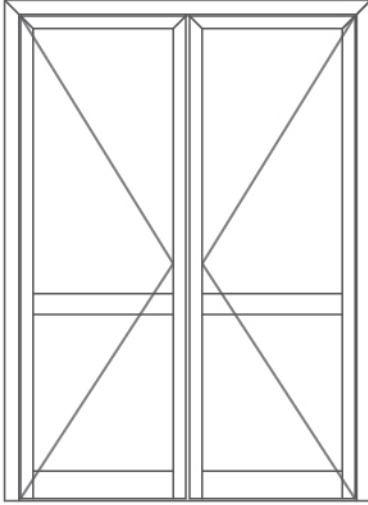


86 mm. Barel
BK1002



DILLI KİLİT KARŞILIK : B.0450
MAKARALI KİLİT KARŞILIK : B.0451



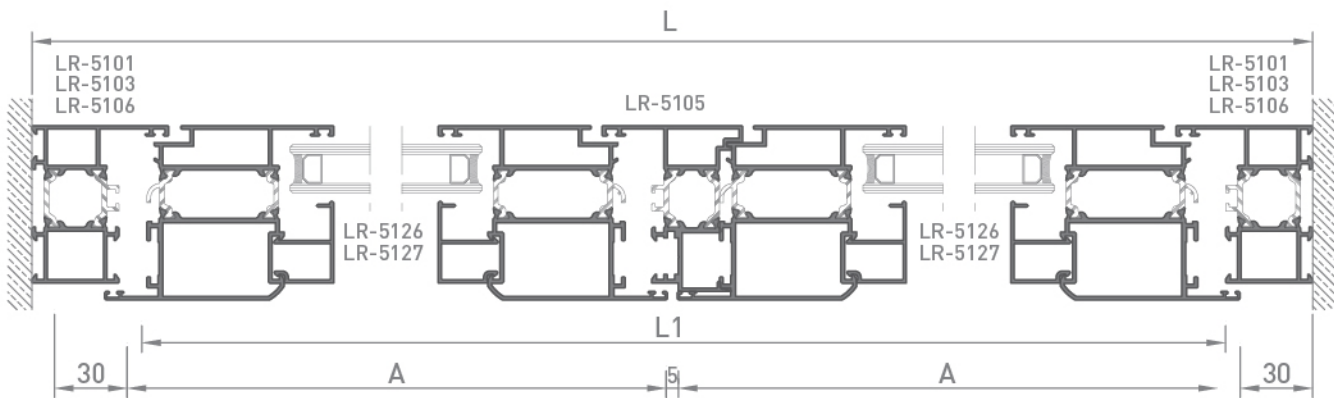


Kanat Geniřlięi

$$A = \frac{L - 65}{2} \text{ mm.} \quad A = \frac{L1 + 7}{2} \text{ mm.}$$

Kanat Ykseklięi

$$B = H - 40 \text{ mm.} \quad B = H1 - 4 \text{ mm.}$$





designed by

LINEA ROSSA
MILANO

LR5100
SLIDING SYSTEM

TEKNİK KATALOG
TECHNICAL CATALOGUE

www.linearossa.eu

BEY METAL ALÜMİNYUM

Kemalpaşa Organize Sanayi Bölgesi Ulusuluk Mevkii
İstiklal Mahallesi No:21 Ulucak Kemalpaşa-İZMİR
Tel : +90 232 877 21 14 (pbx) Fax: +90 232 877 03 39
info@beymetal.com.tr | www.beymetal.com.tr

Produced By

B/M
BEYMETAL
ALÜMİNYUM

